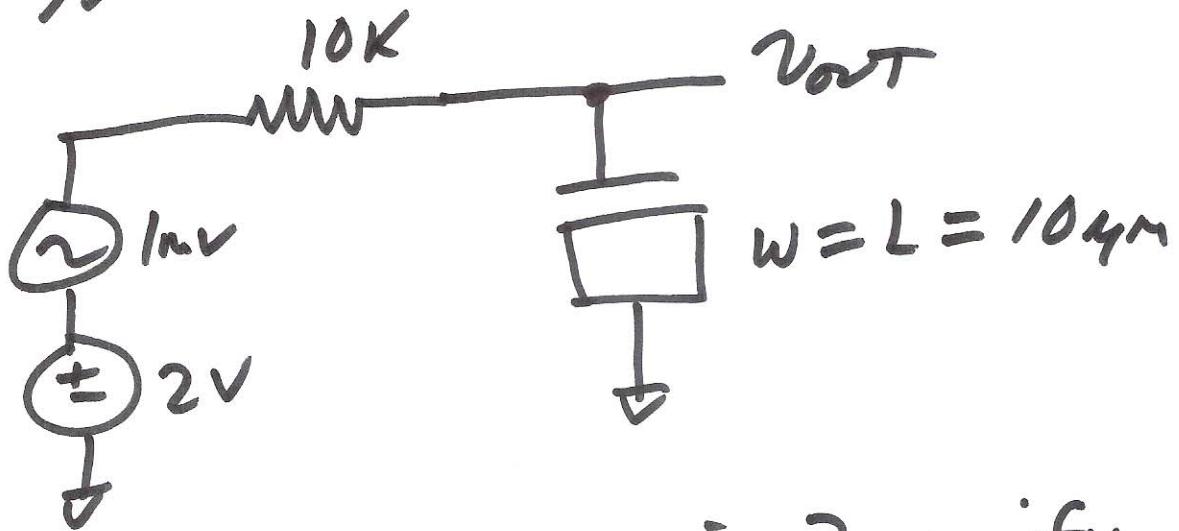


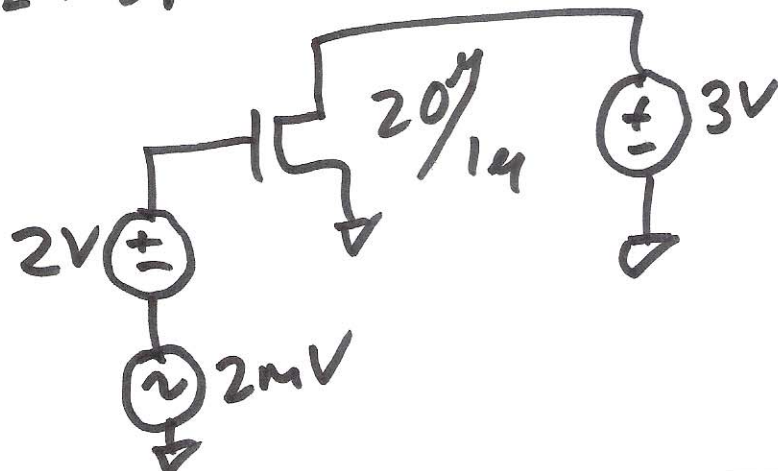
H.W. #14

For the following problems
 assume $V_{THV} = 800\text{ mV}$, $t_{ox} = 200\text{ \AA}$,
 and $K_{PN} = 120\text{ \mu A/V}^2$.

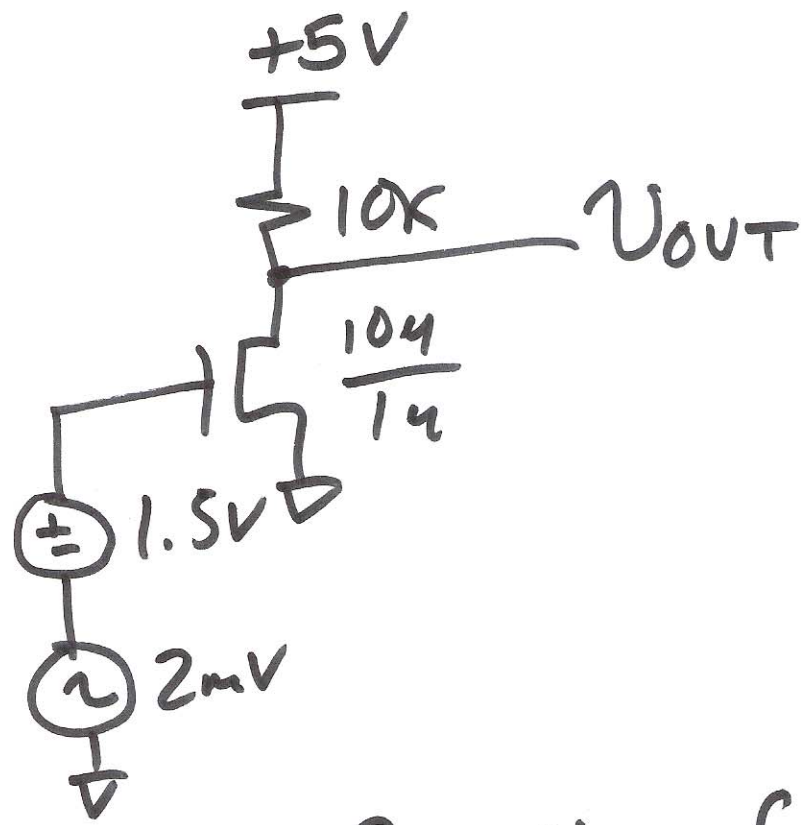
- 1) At what frequency is the output amplitude $\frac{1}{2}\text{ mV}$? Verify your hand calculations with LTspice.



- 2) What are I_D and i_d ? Verify with LTspice.



3) What is V_{out} & v_{out} ?
Verify with LT SPICE.



4) Repeat 3 for the following.
Again, show your work for credit.

