

# H.W. #17 EE 320

Spring 2014

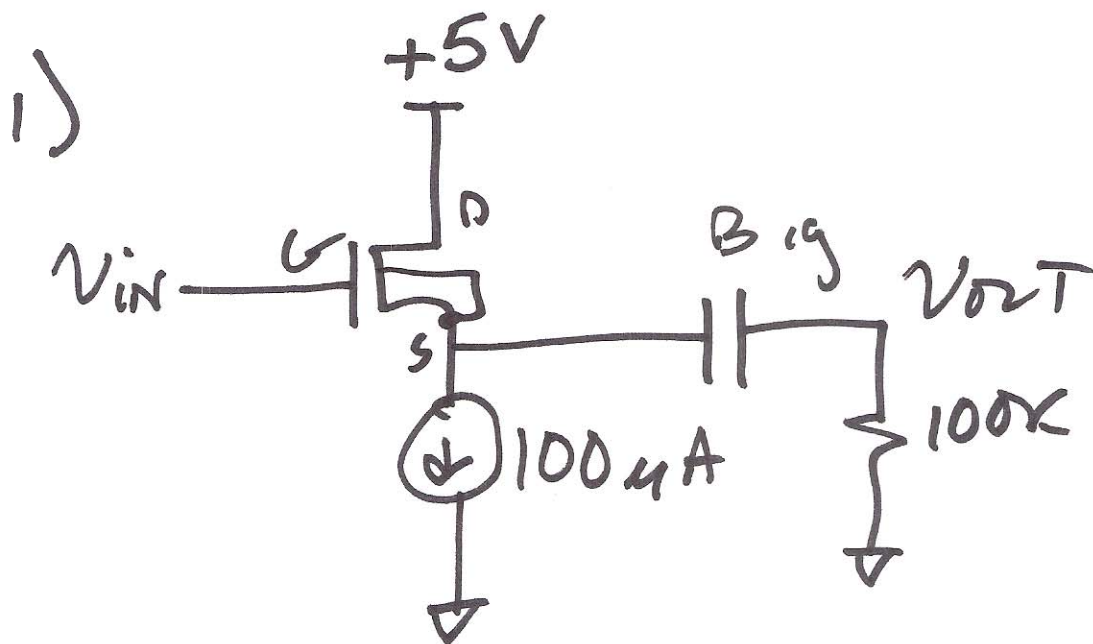
USE  $K_{PN} = 120 \mu\text{A}/\text{V}^2$ ,  $K_{PP} = 40 \frac{\mu\text{A}}{\text{V}^2}$

$V_{THN} = 800 \text{ mV}$ ,  $V_{THP} = 900 \text{ mV}$ ,

$W = 100 \mu\text{m}$ ,  $L = 1 \mu\text{m}$ ,  $C_{ox}' = 1.75 \frac{\text{fF}}{\mu\text{m}^2}$

---

For each of the following find DC operating point,  $(V_{out}, I_{D})$  AND verify your answers with LTSPICE.



2)

