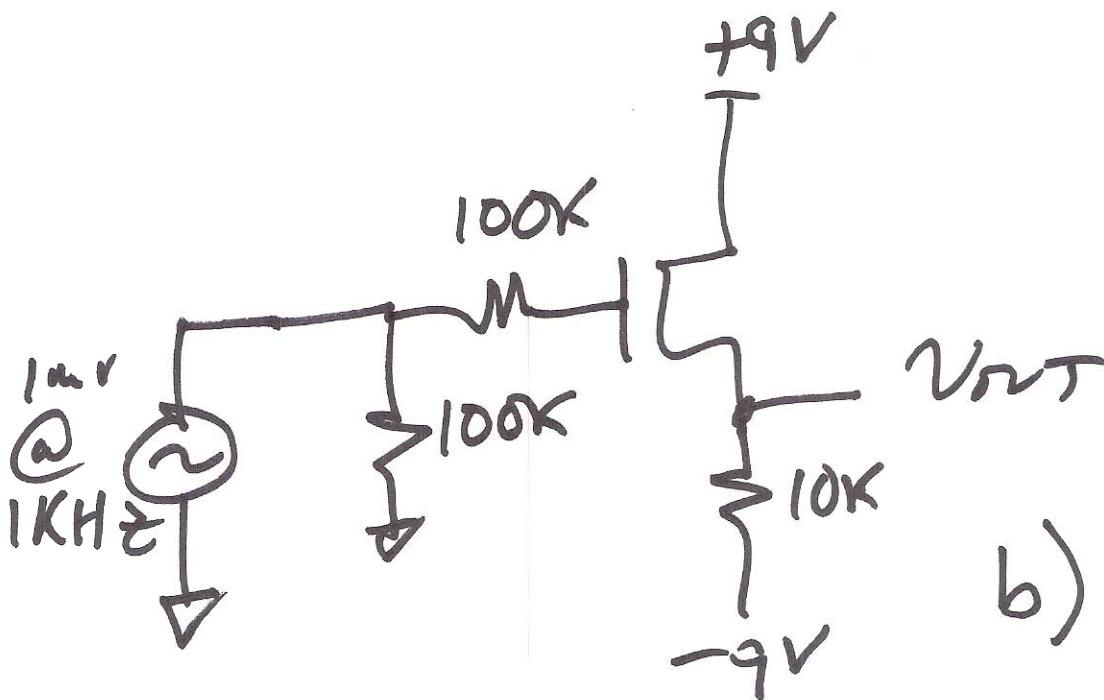
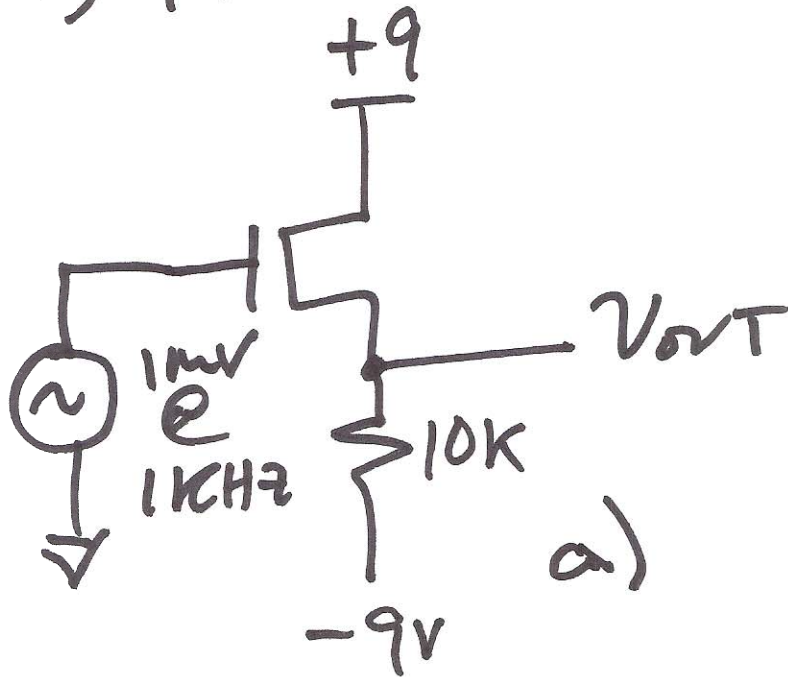


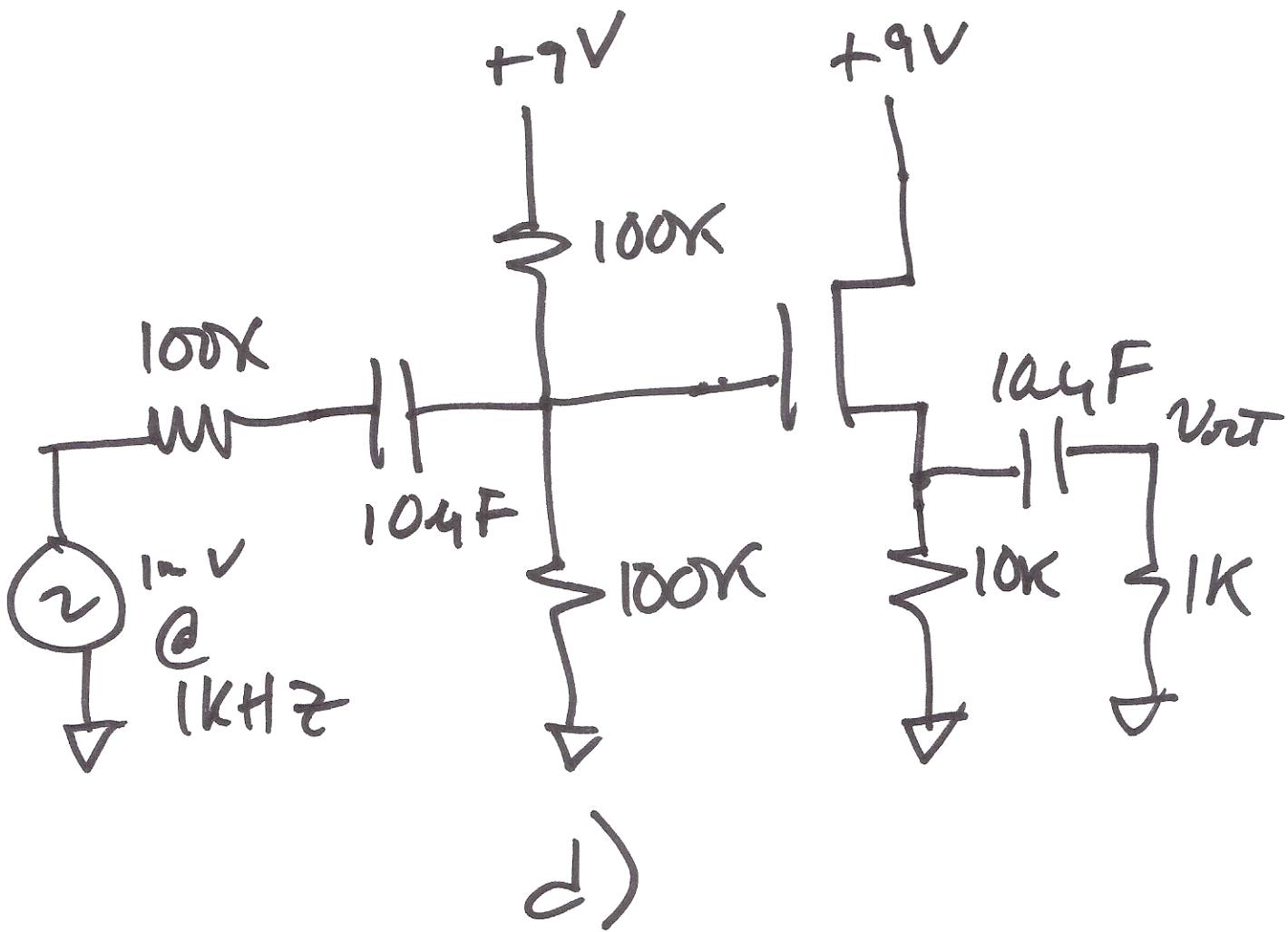
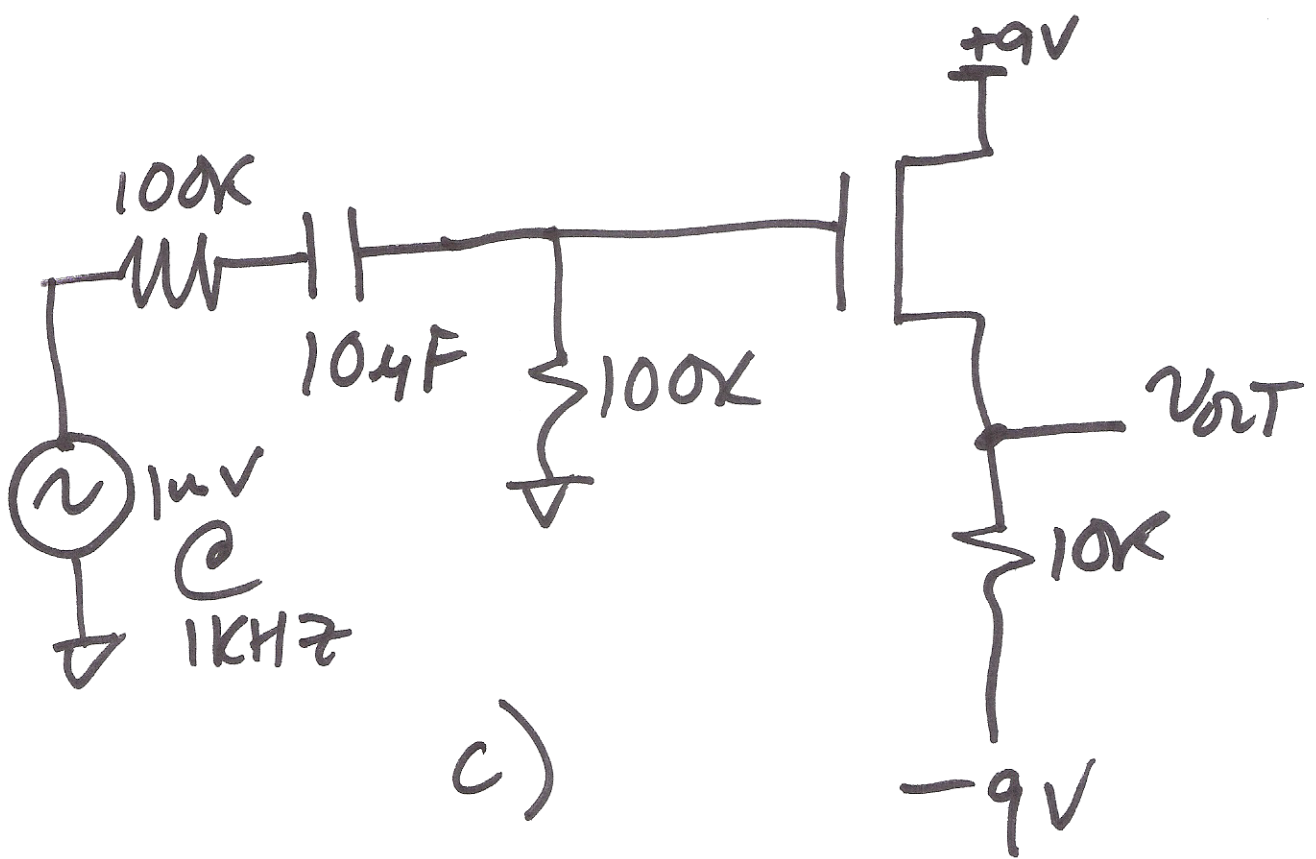
H.W. # 18

Use the ZVN3306A transistor.
* simulate all hand calculations

1) Find V_{out} in each.

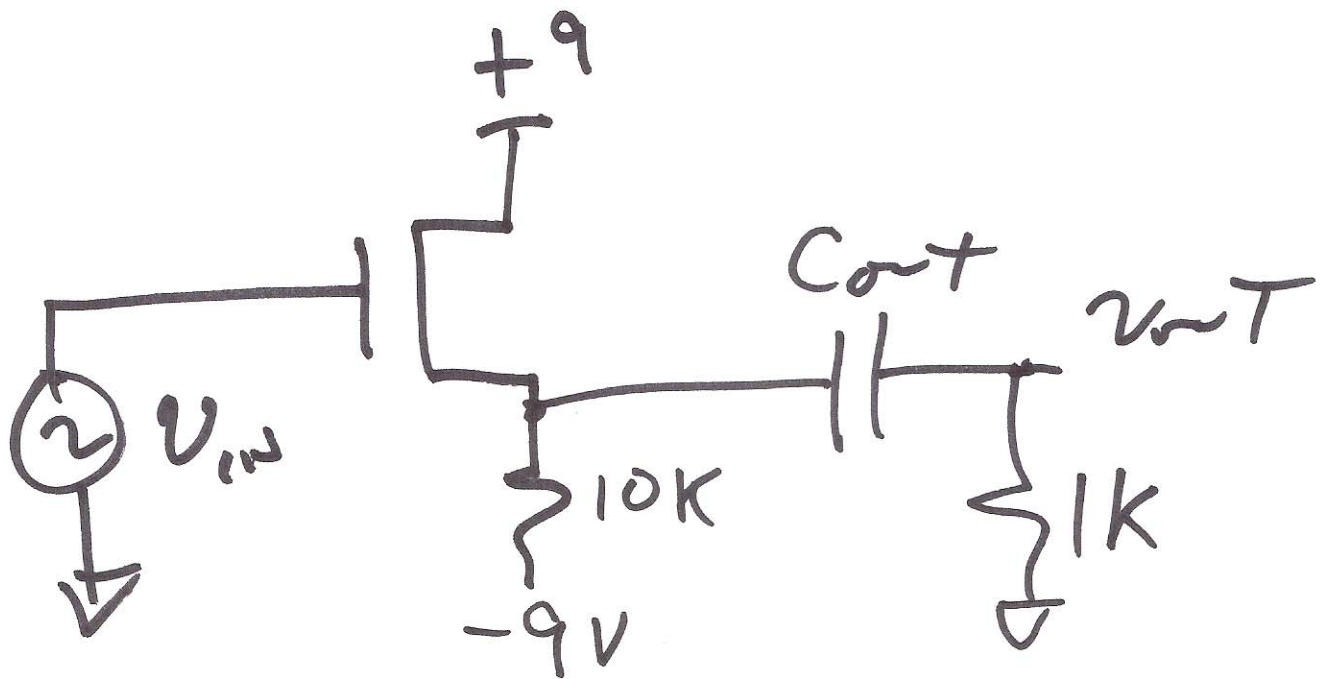
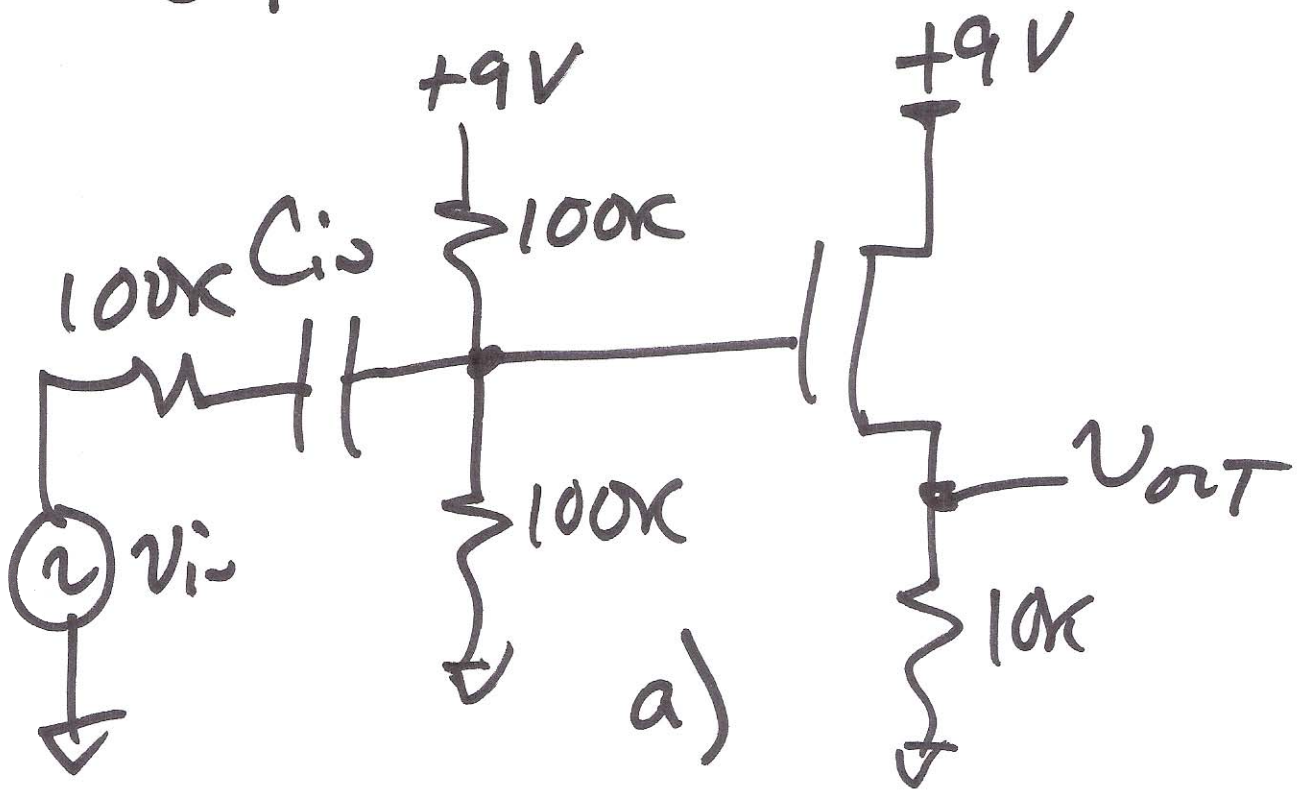


1)



2)

2) Calculate the minimum frequency of an input signal so that the CAPS behave as shorts



3)