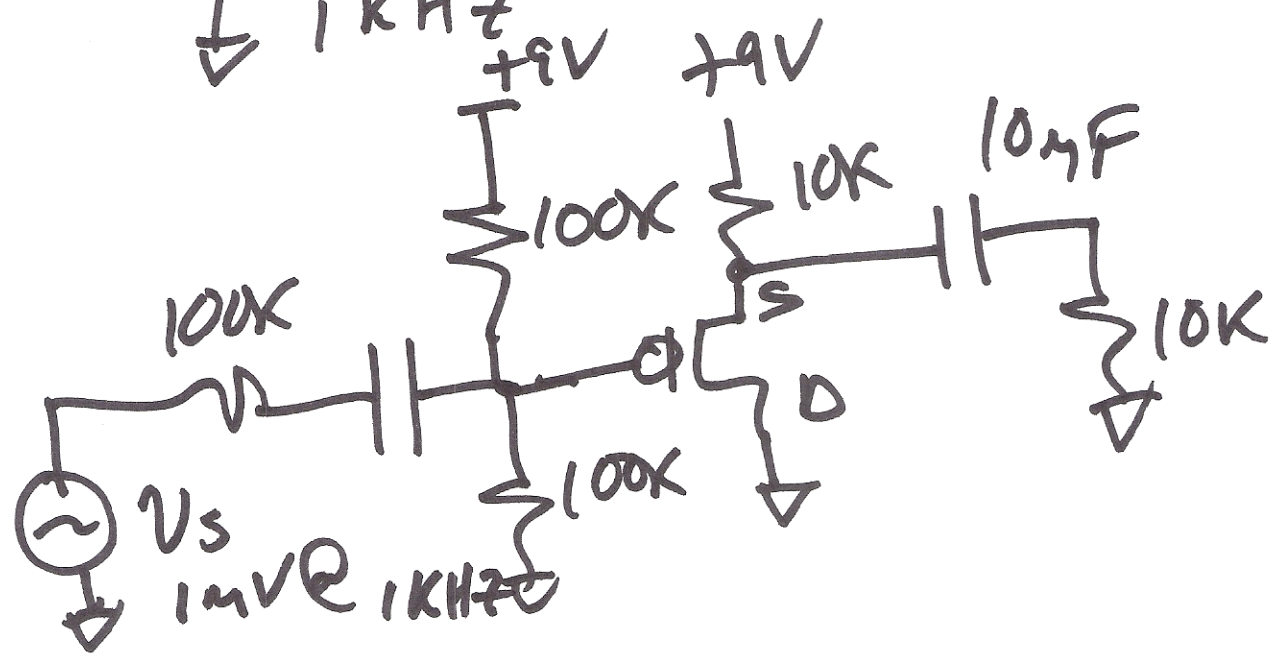
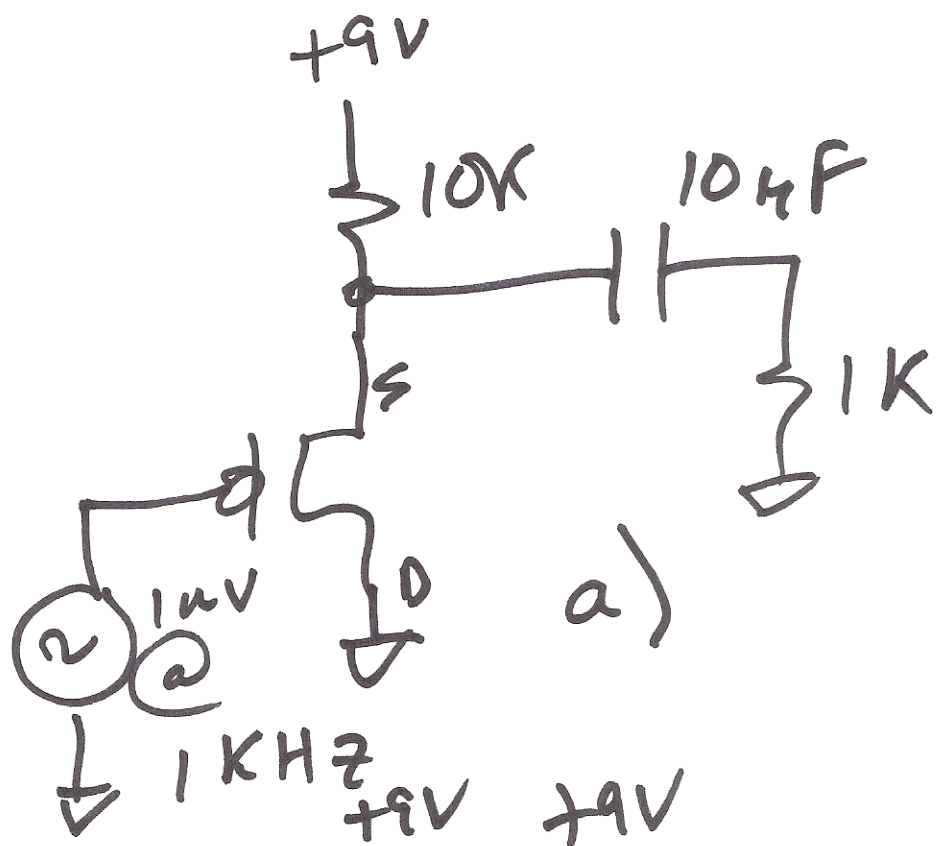


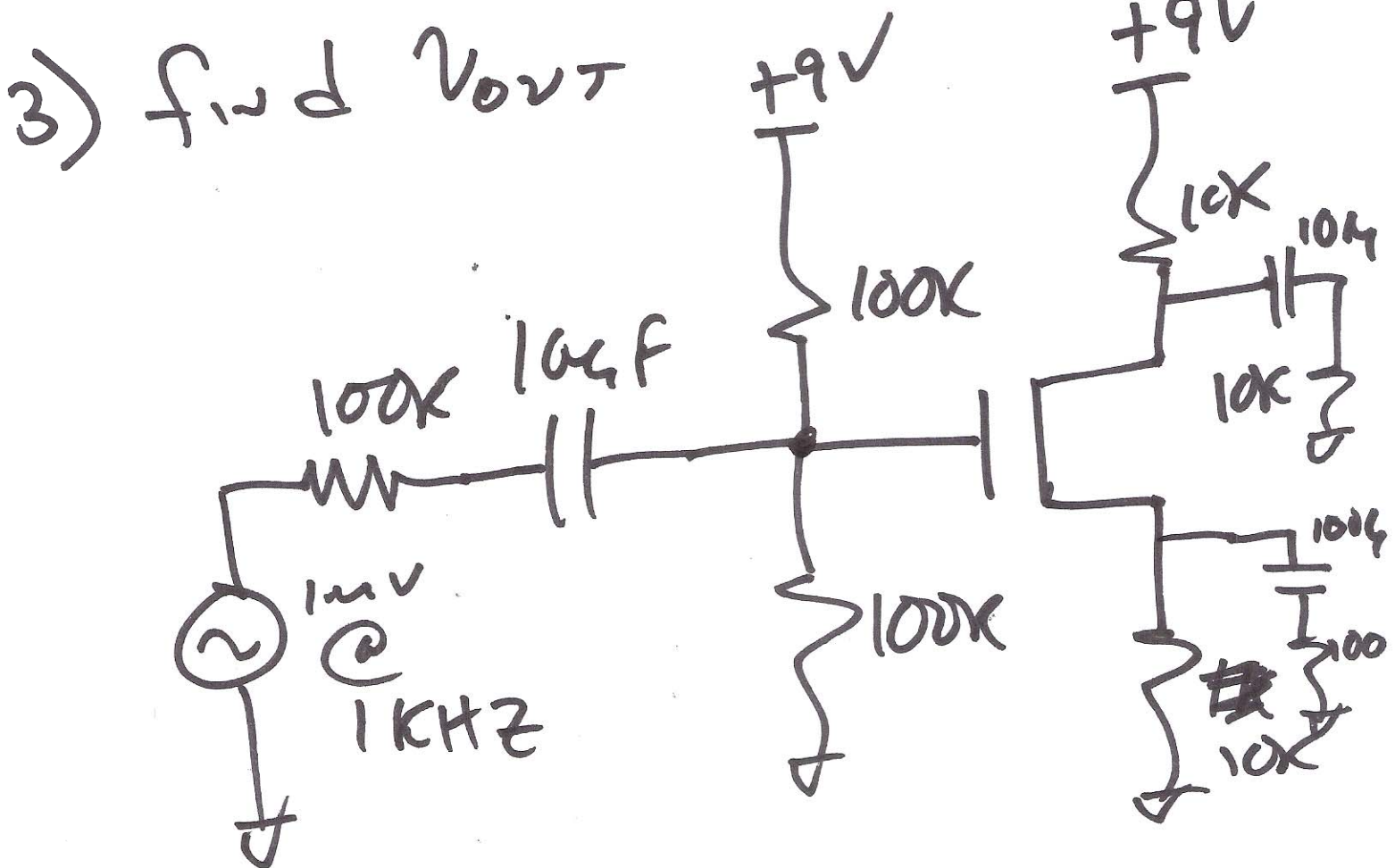
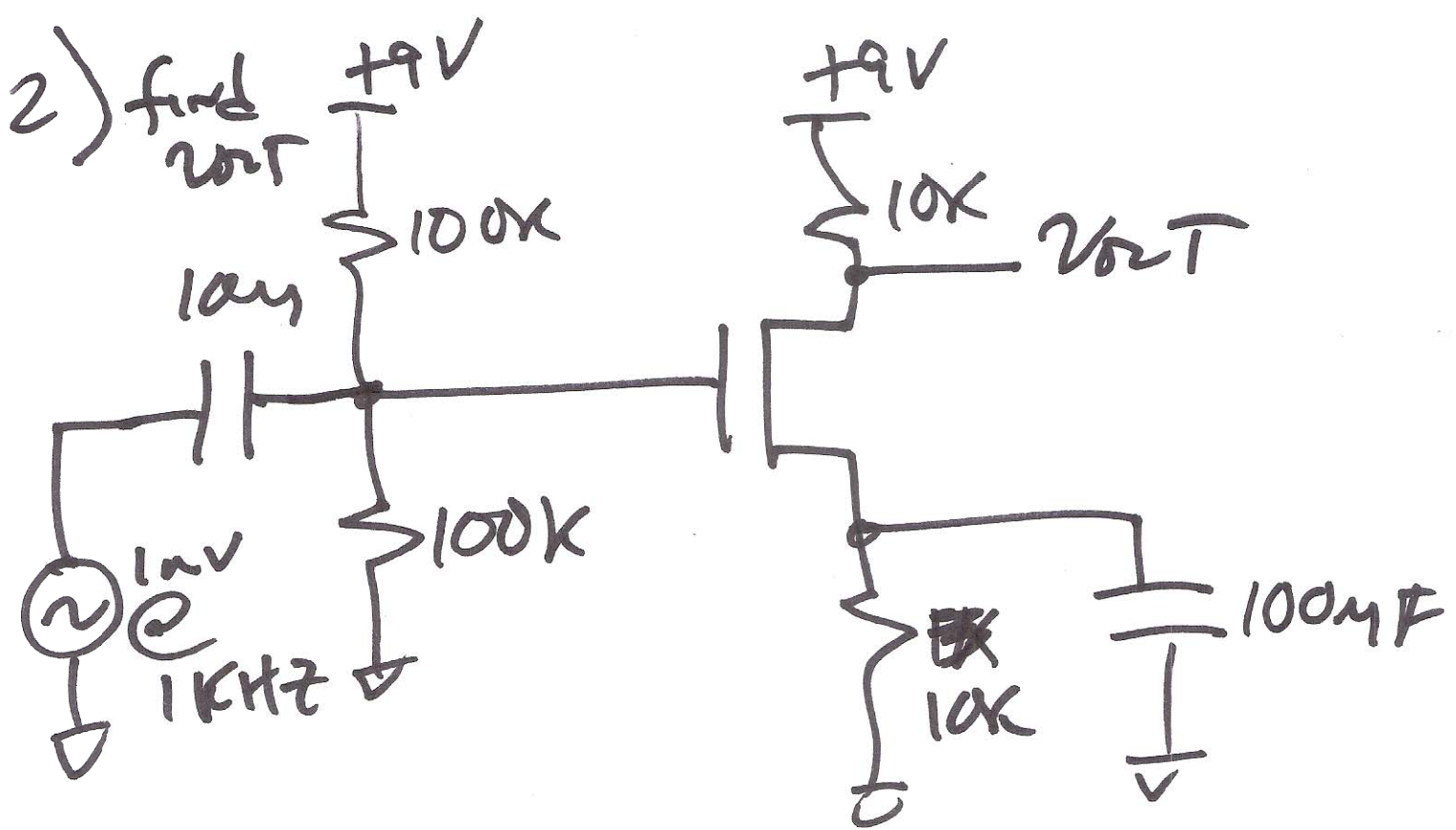
H.W. # 19

USE EITHER ZVN3306A OR ZVP3306A

* simulate all hand calculations

1) Find V_{out} for each.





4) find v_{out}

