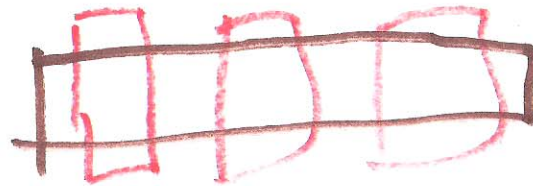
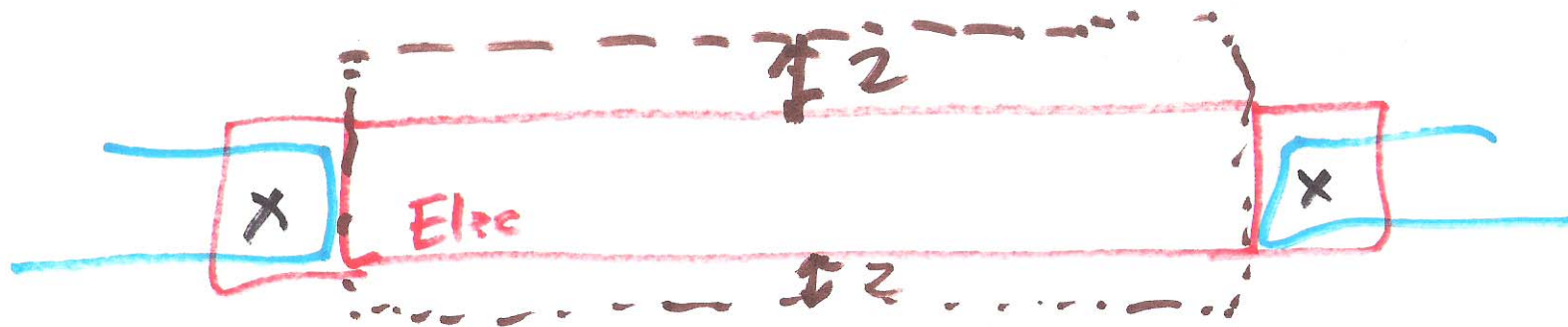
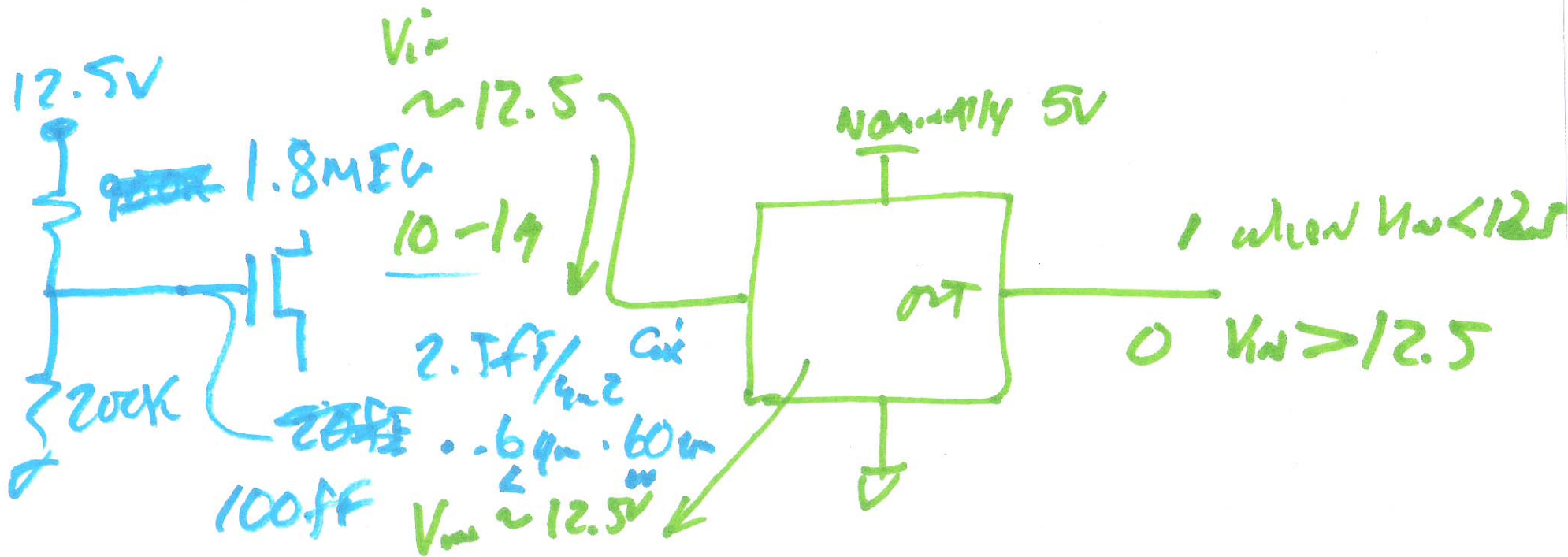


OCT. 31, 2014

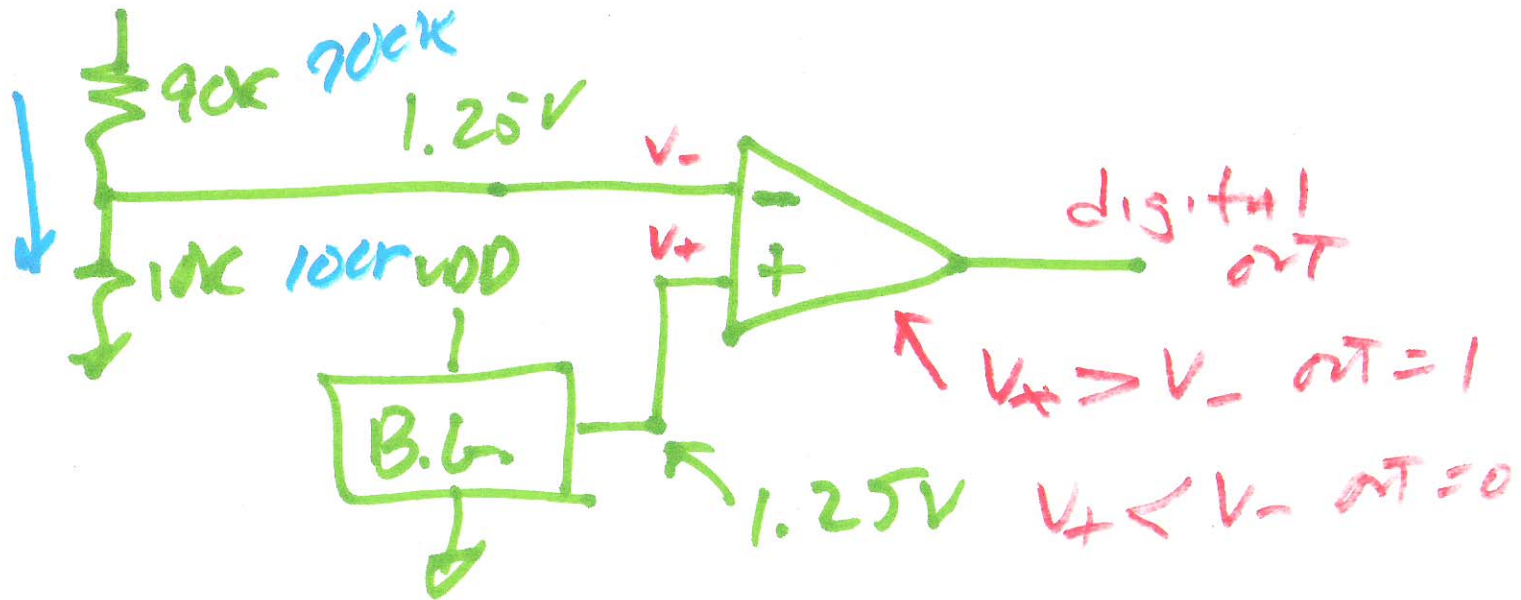
Lecture 20

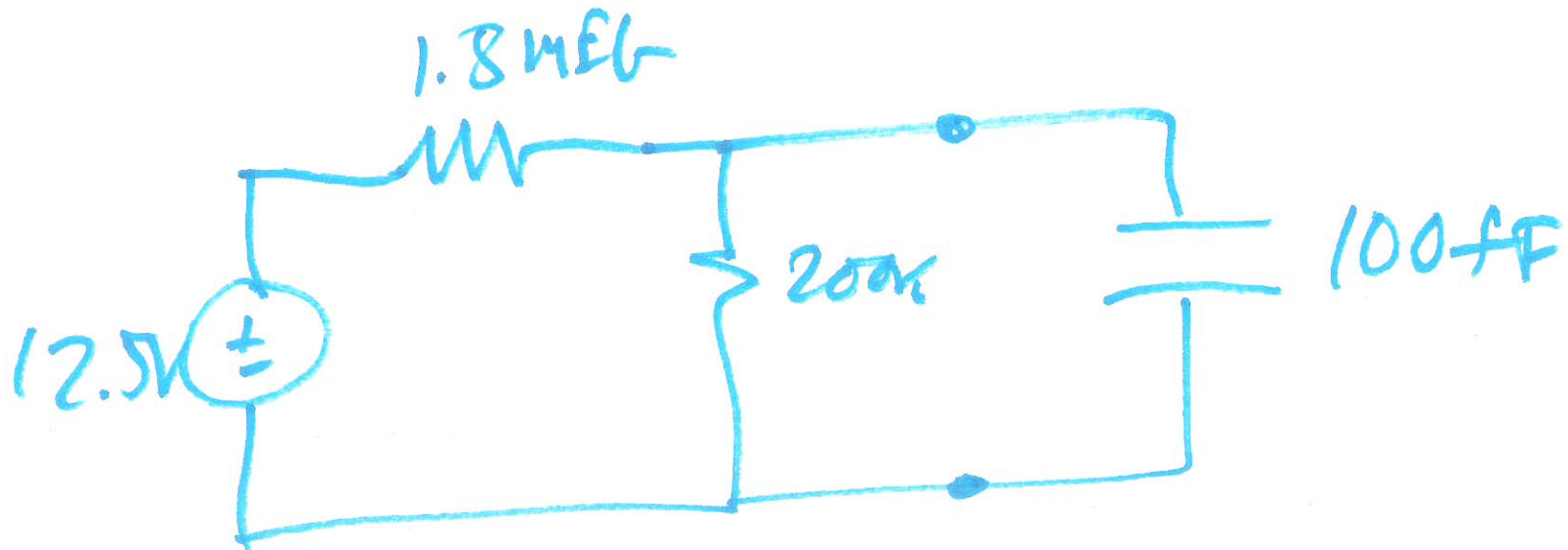
Project Discussion



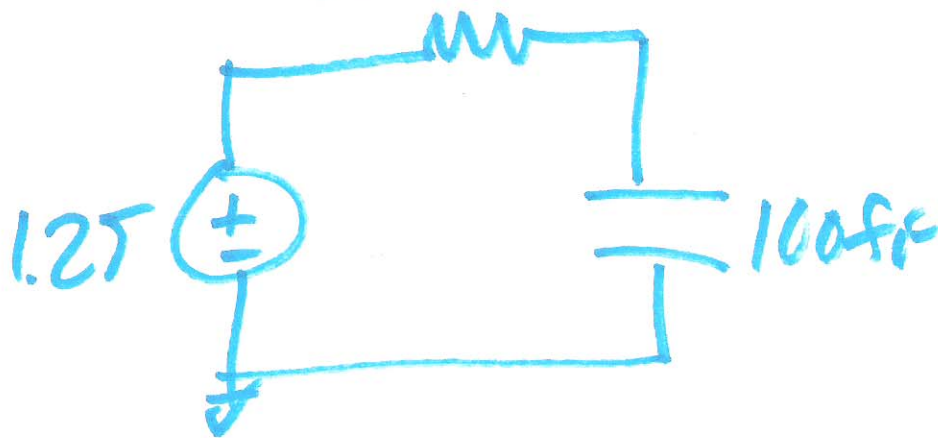


$$\frac{12.5}{10^5} = \frac{12.5}{100k} = 125 \mu\text{A}$$

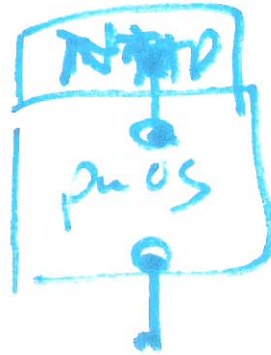
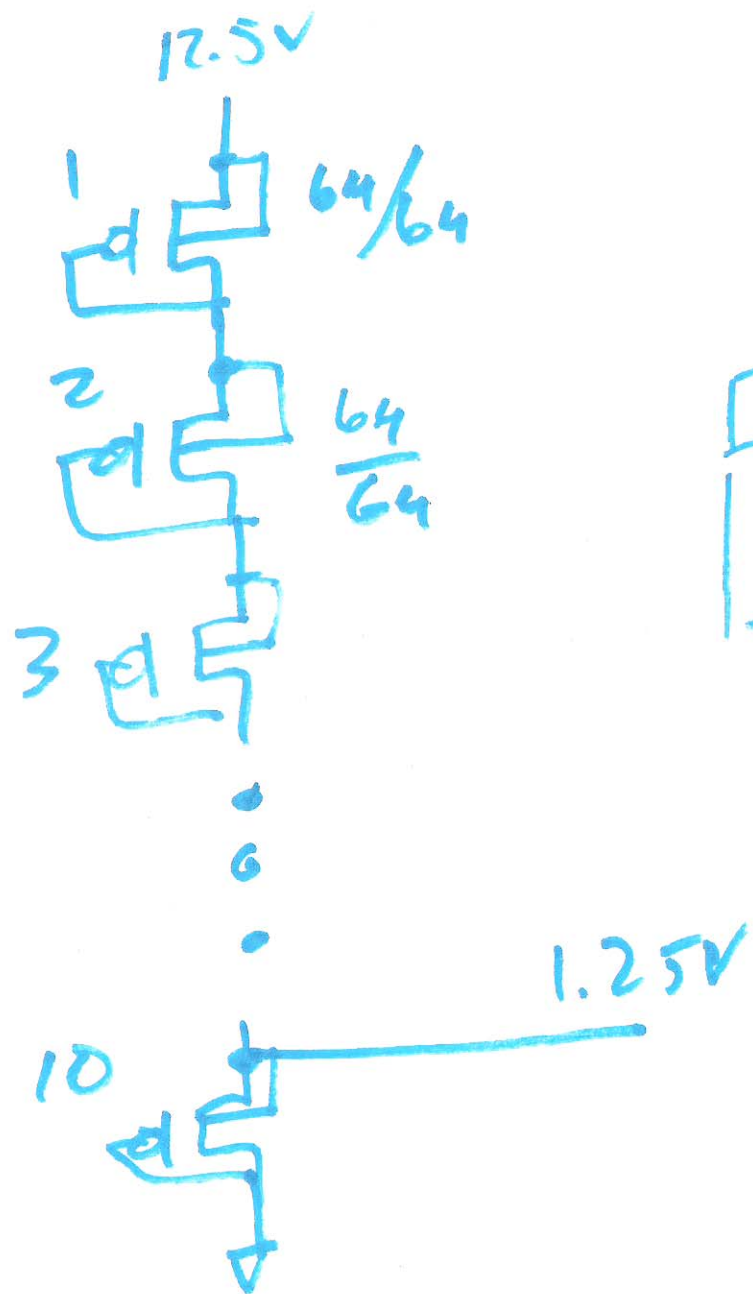




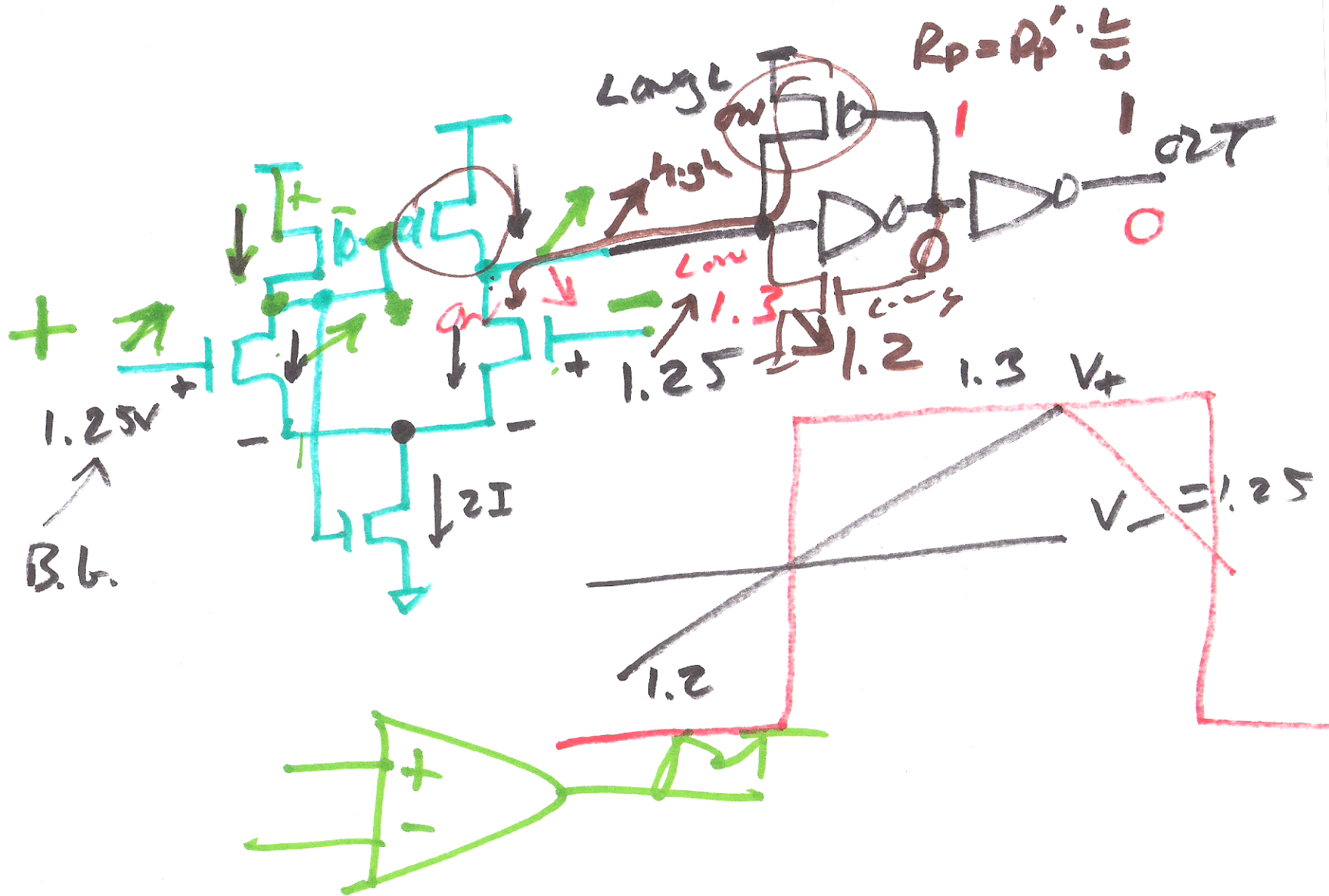
$200k \parallel 1.8 M \approx 200k$



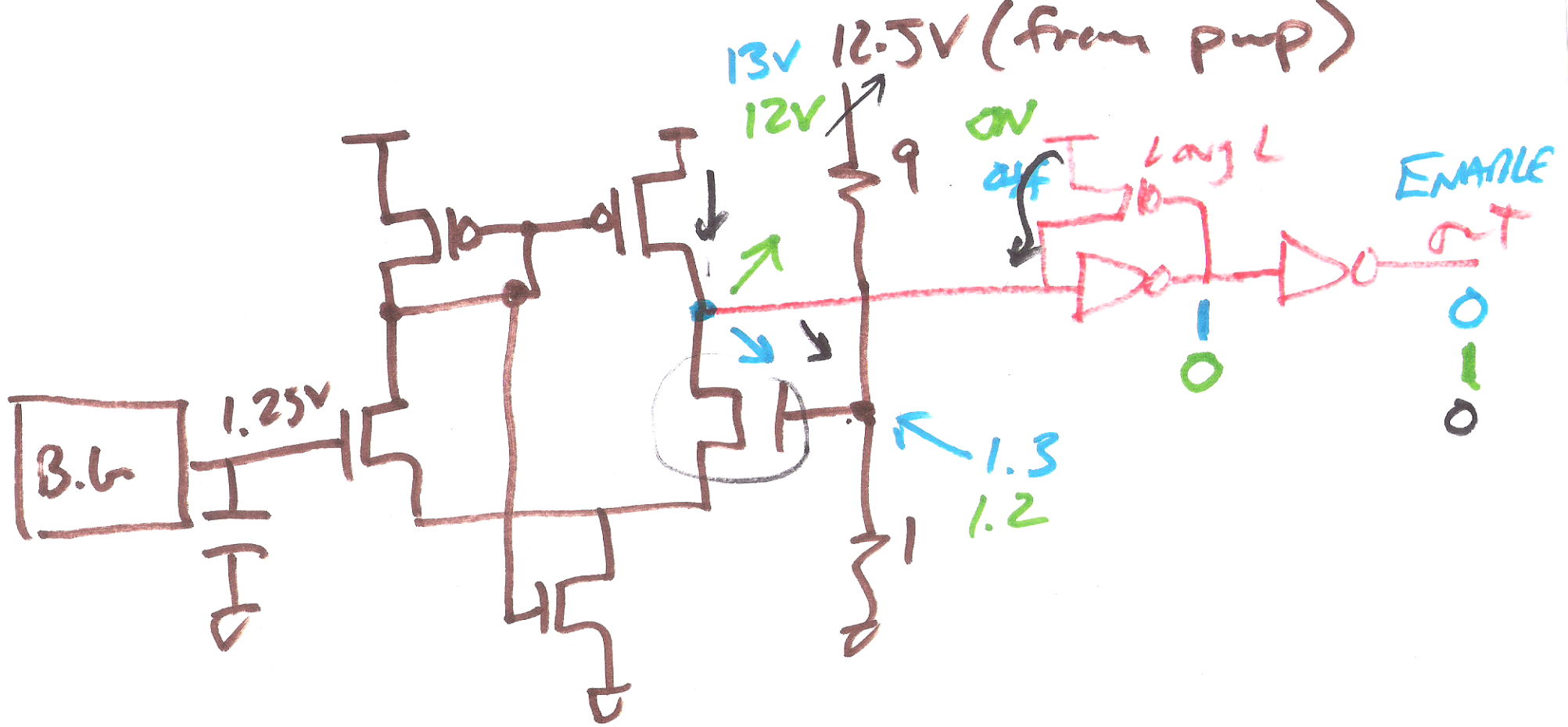
$$\begin{aligned}
 t_d &= 0.7 \cdot 200k \cdot 100fF \\
 &= 1.4 \cdot 10^5 \cdot 10^{-13} \\
 &= 1.4 \times 10^{-8} \\
 &= \underline{\underline{14ns}}
 \end{aligned}$$



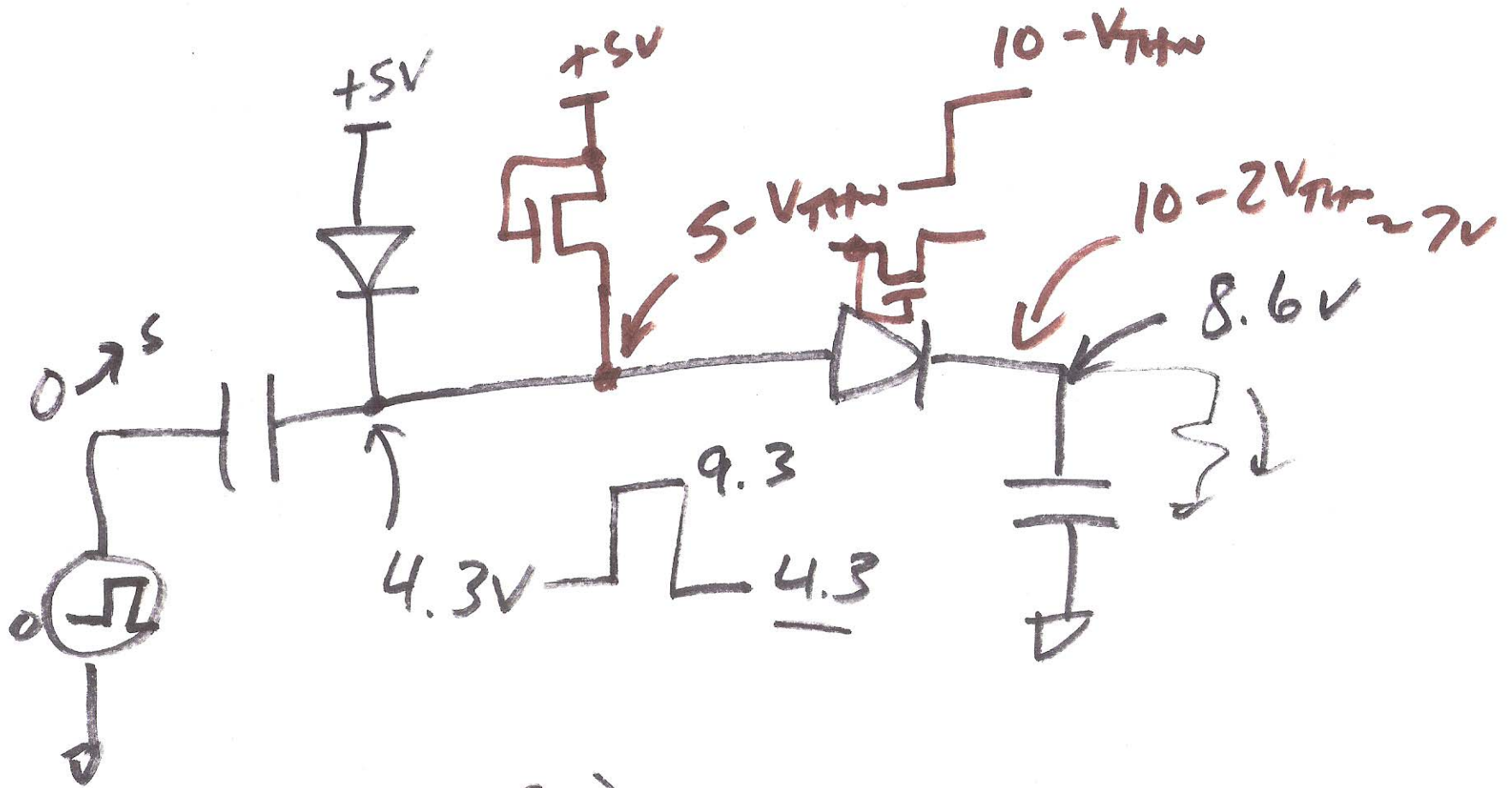
4)



5)



6)



$$\left. \begin{array}{l} 0 - 4.3 \\ 5 - 9.3 \end{array} \right) = -4.3V$$

8)