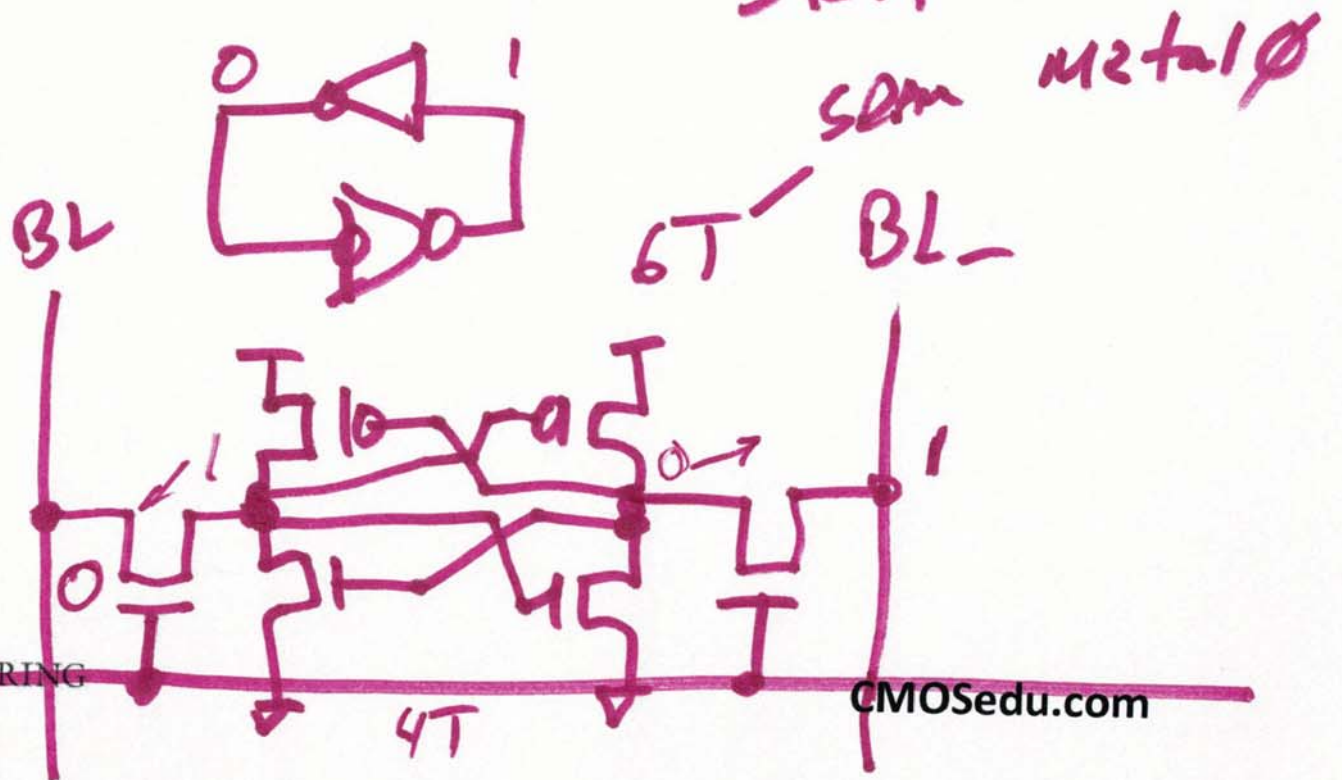
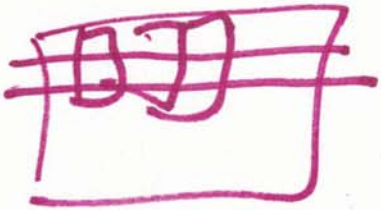


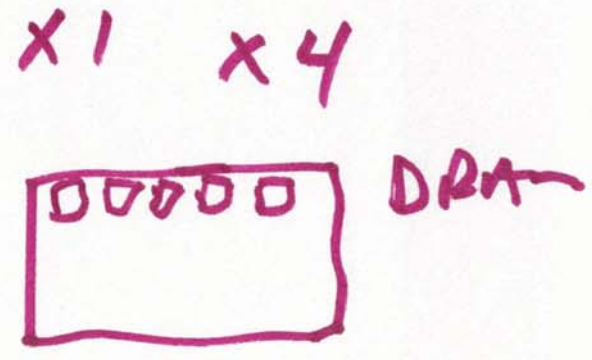
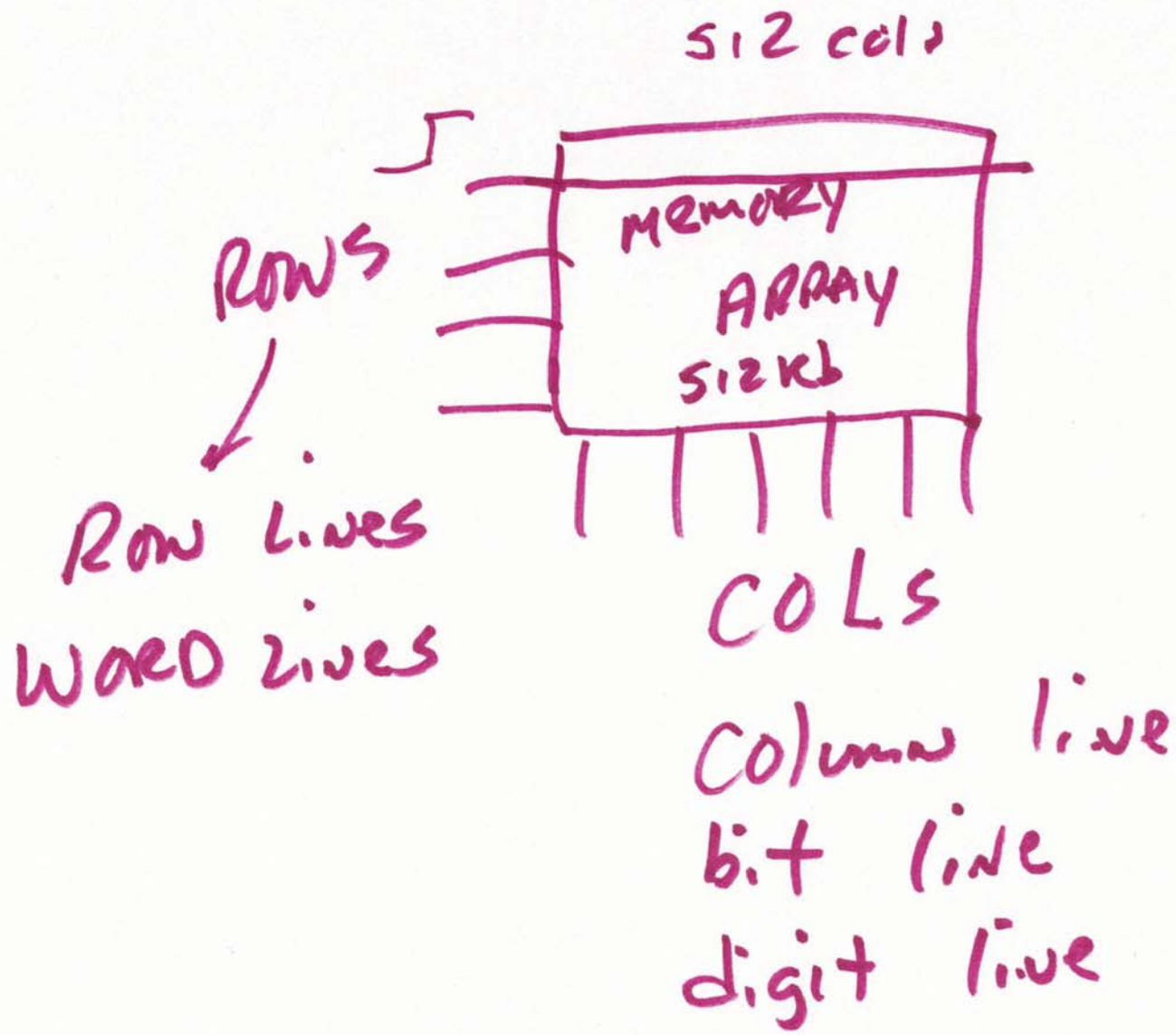
EE 421 / ECG 621

NOV. 30, 2015

Lecture 26

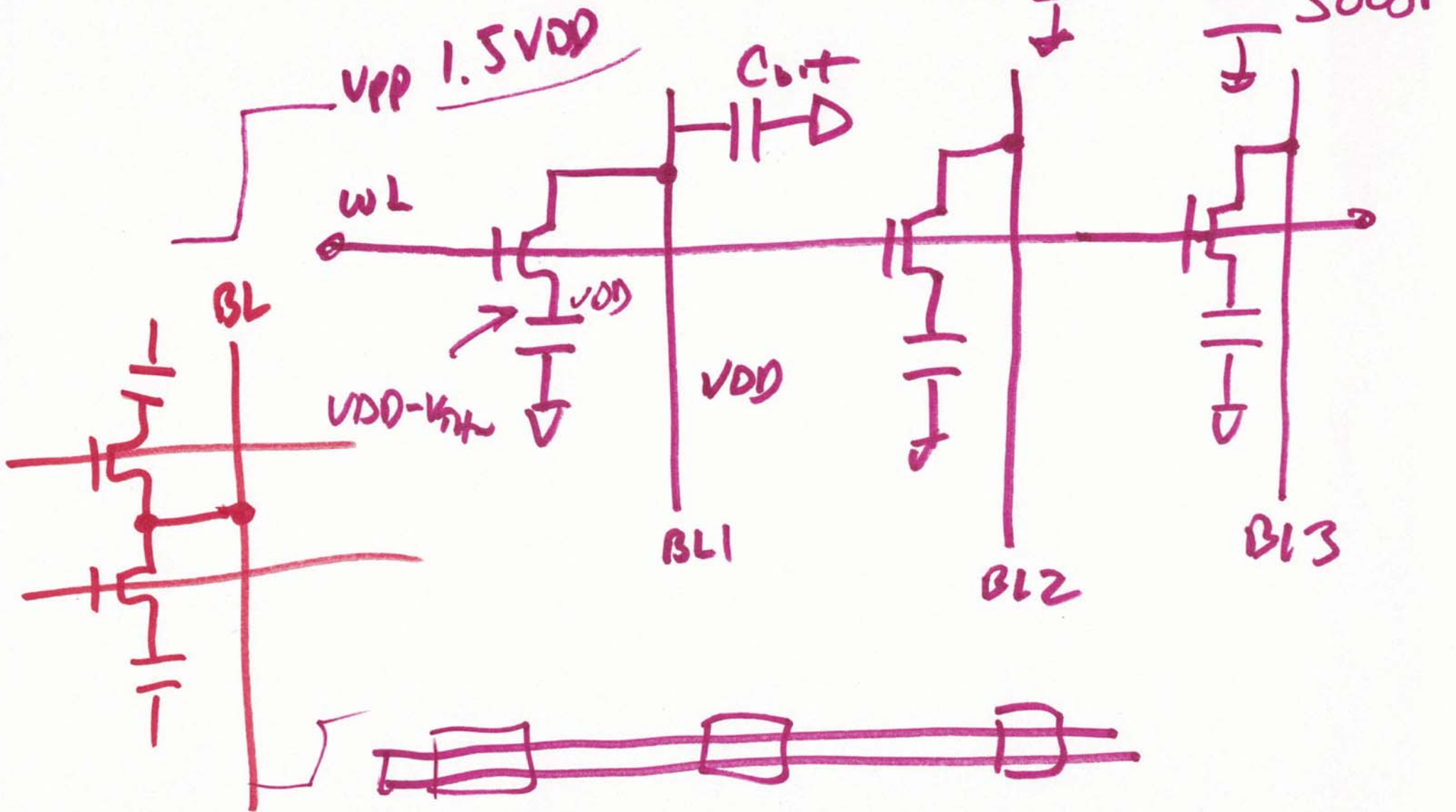
OVERVIEW of memory
Static RAM (Random Access Memory)
SRAM



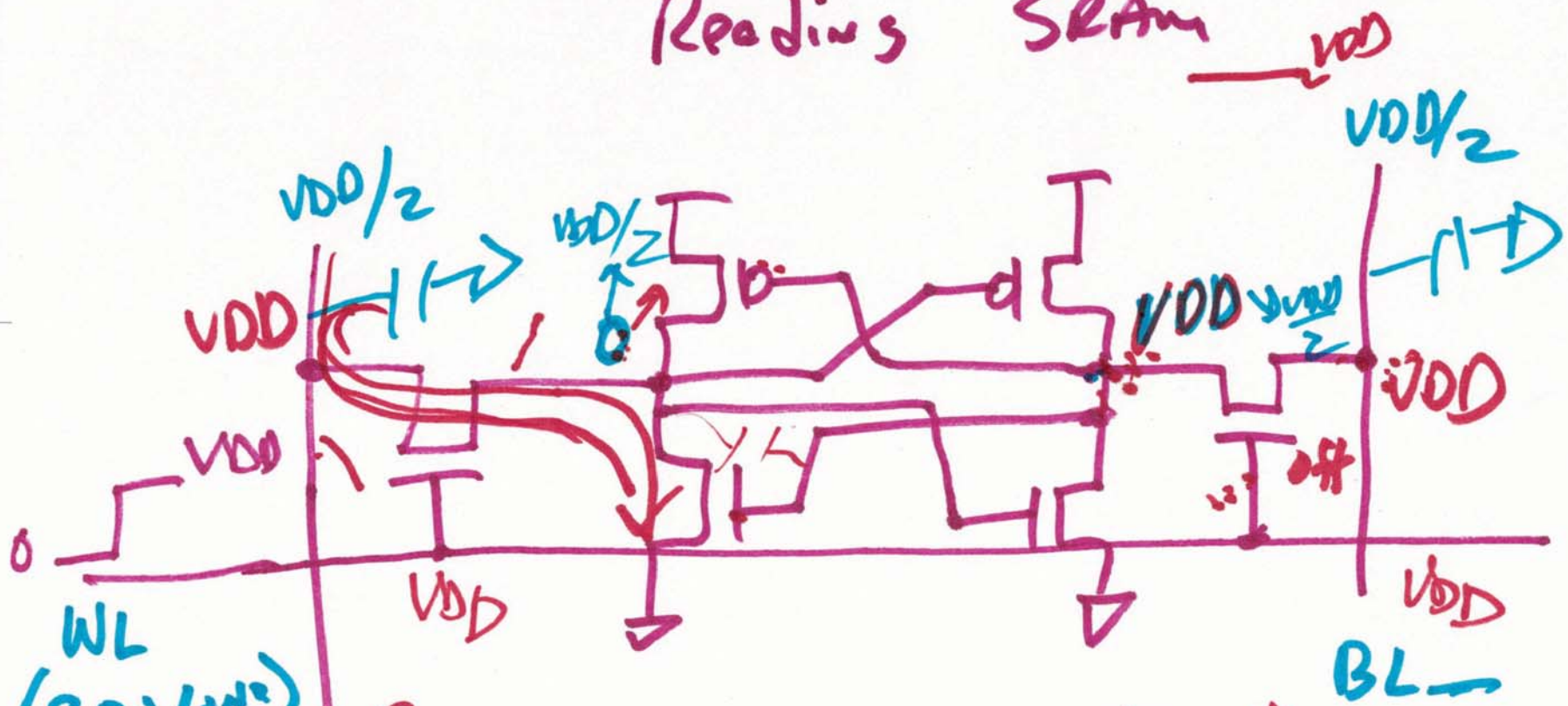


DRAM

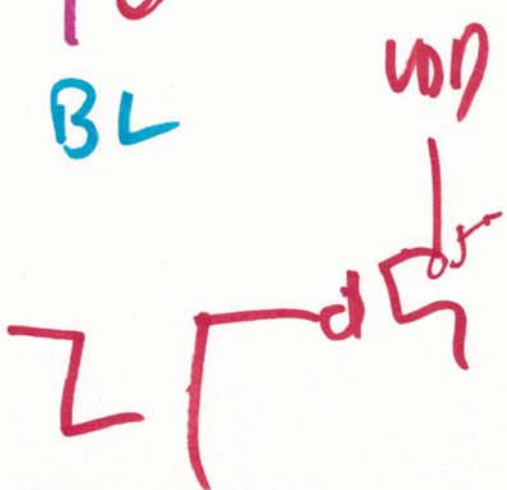
1T1C



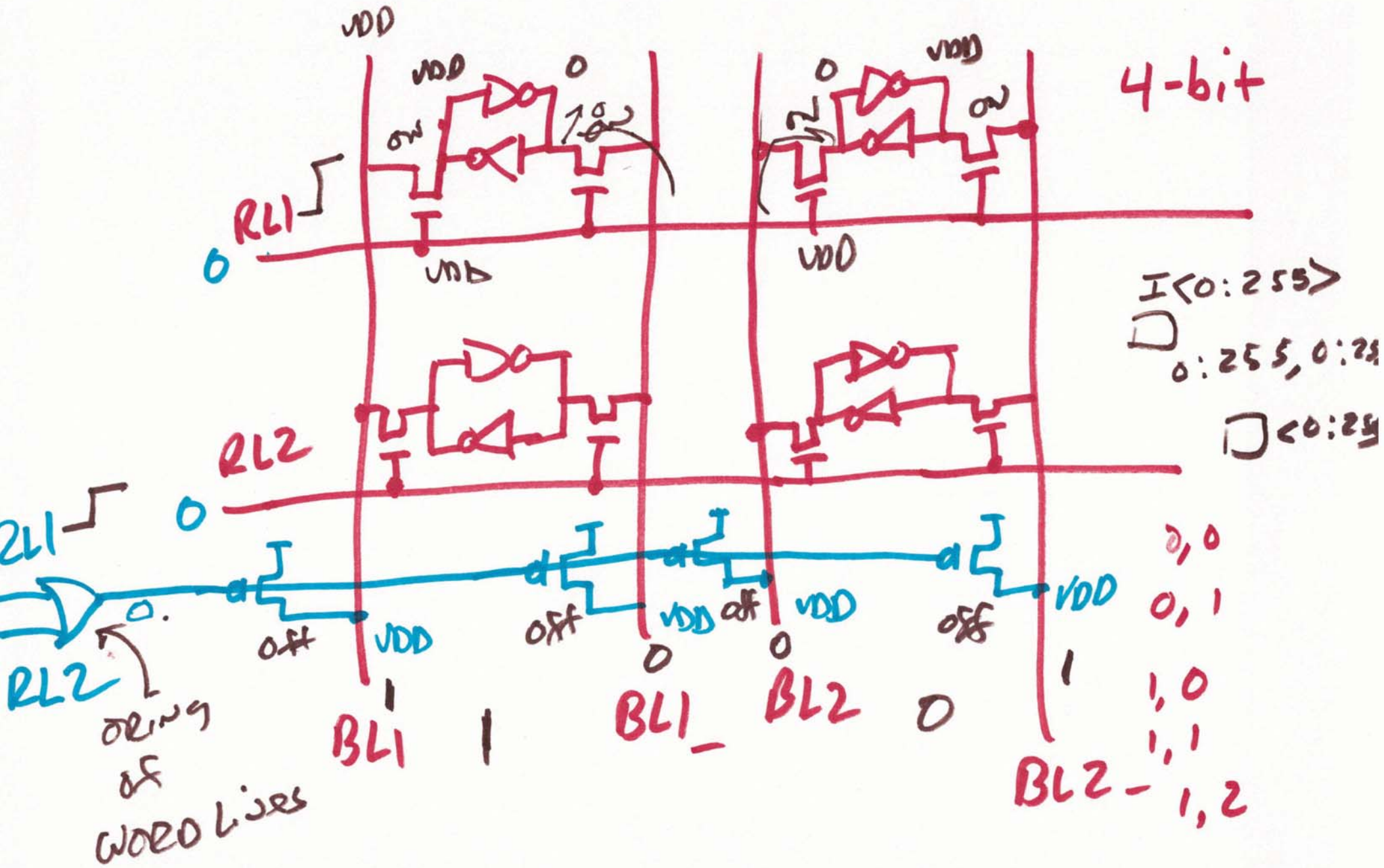
Reading SRAM



Sense (Read)
 Pre-charge bit lines high



4)



Row Decoder

