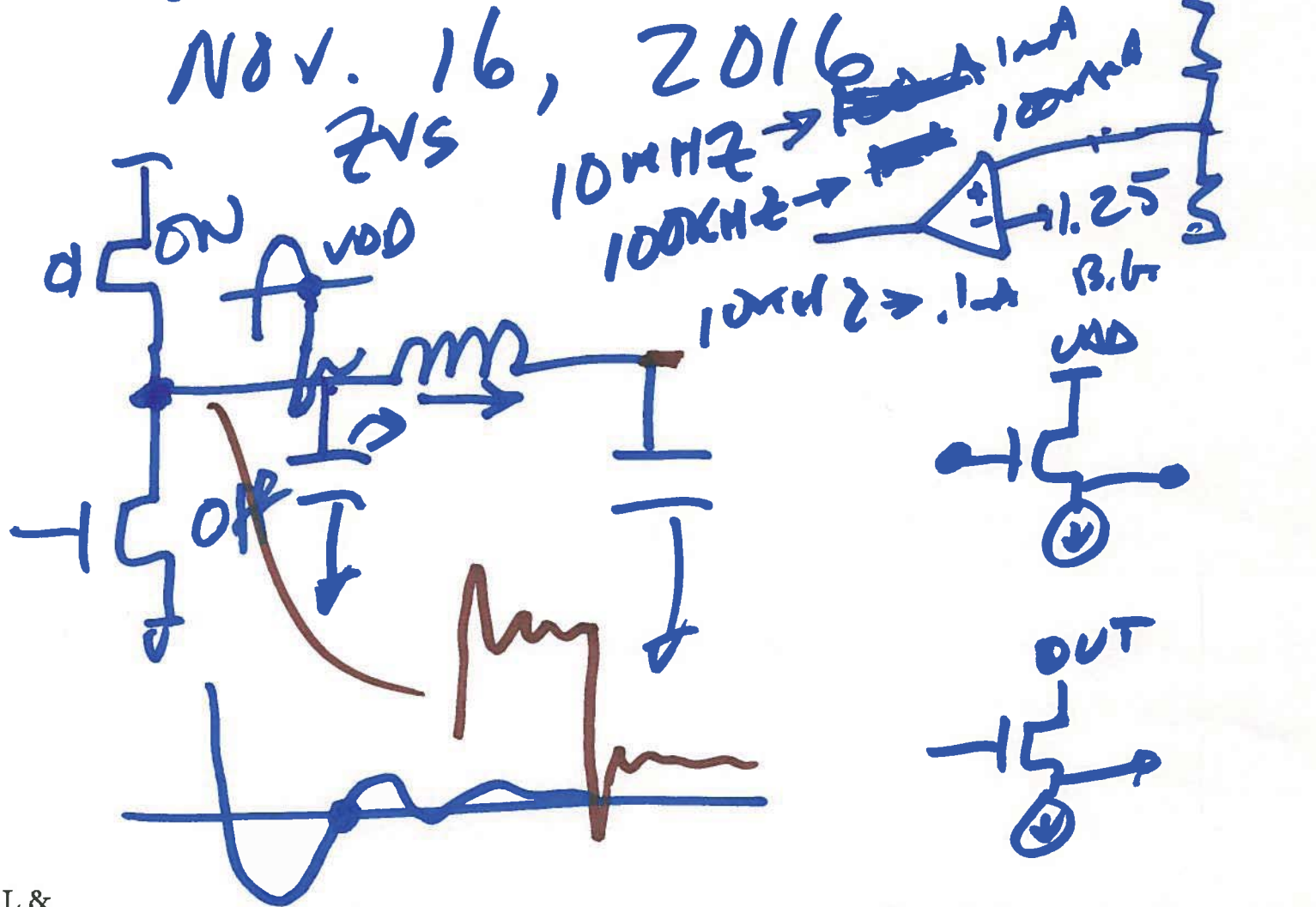


# EE 421/ECG 621

## Digital IC Design

Nov. 16, 2016

↙  
↘

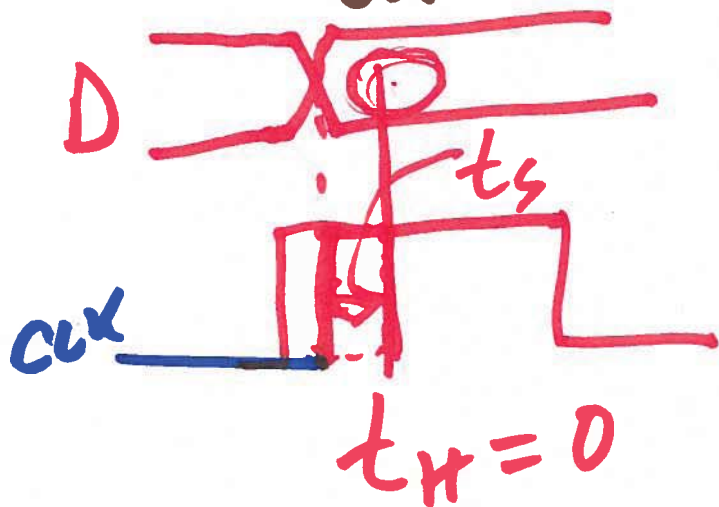
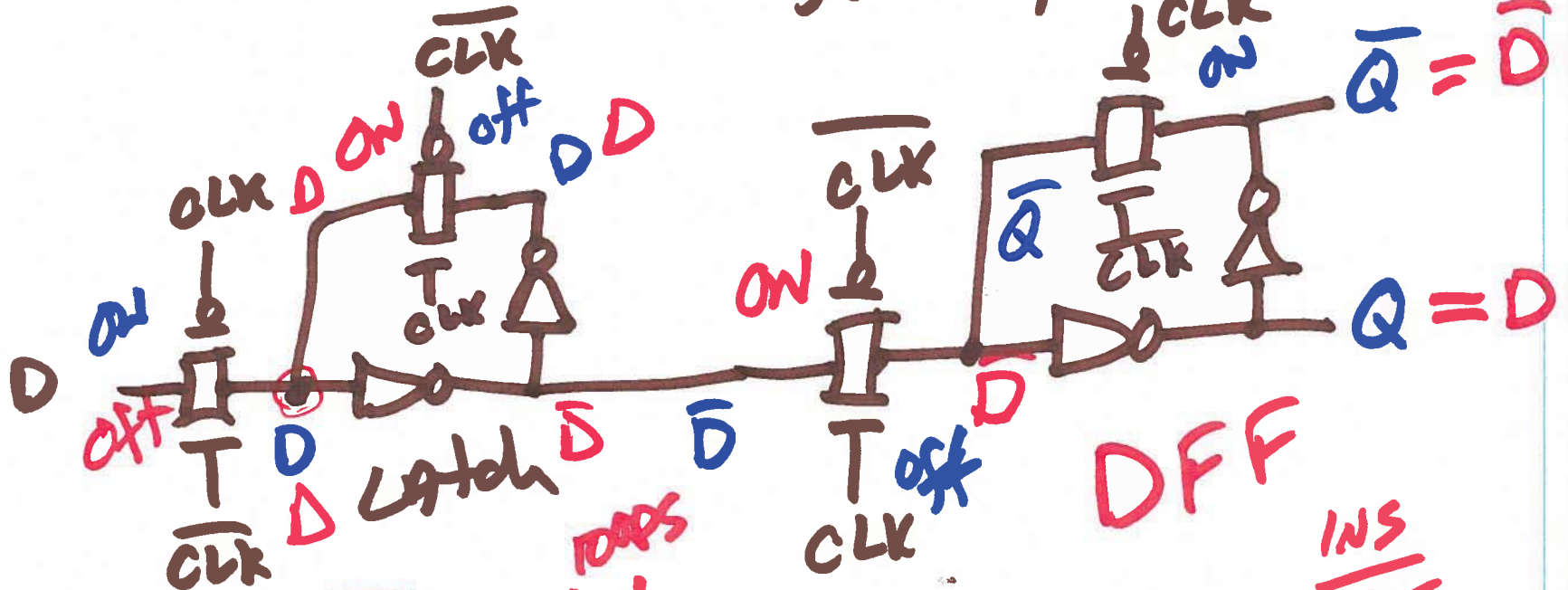


1)

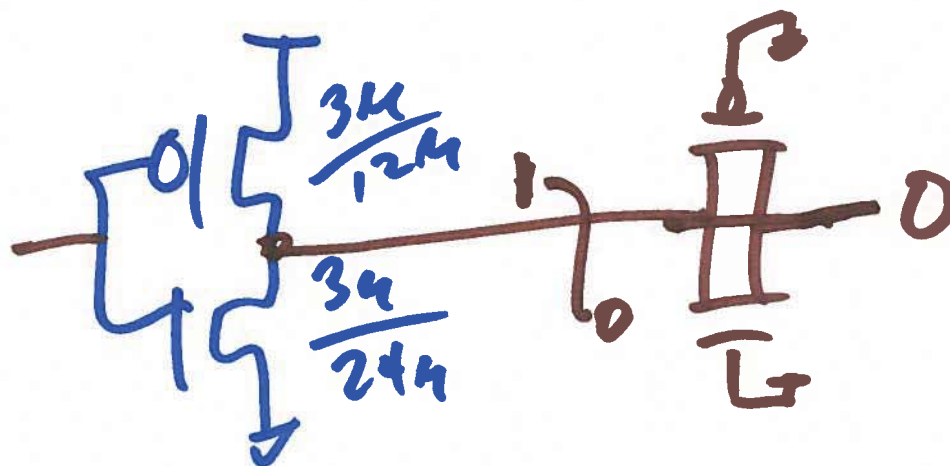
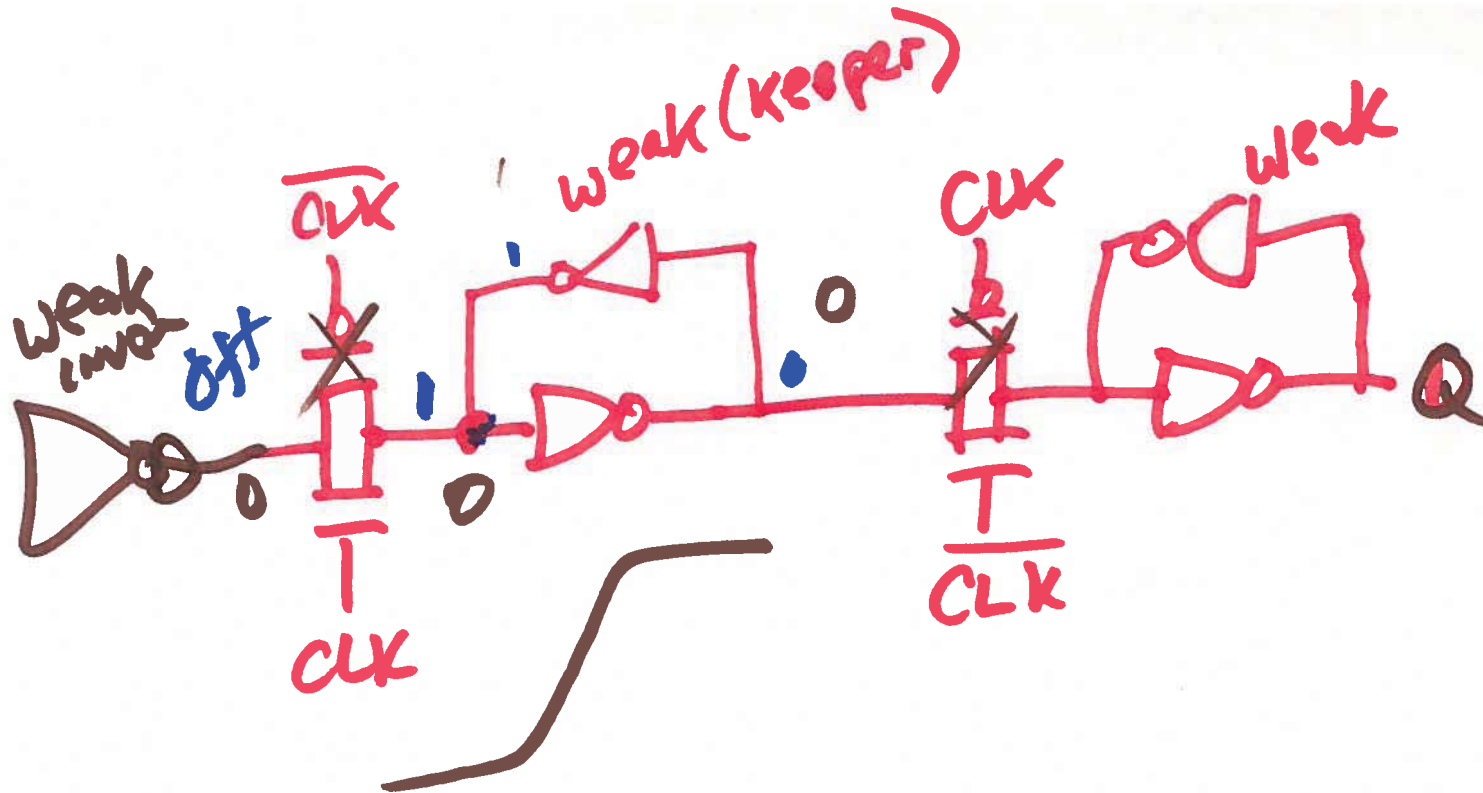
# Clocked

# Circuits

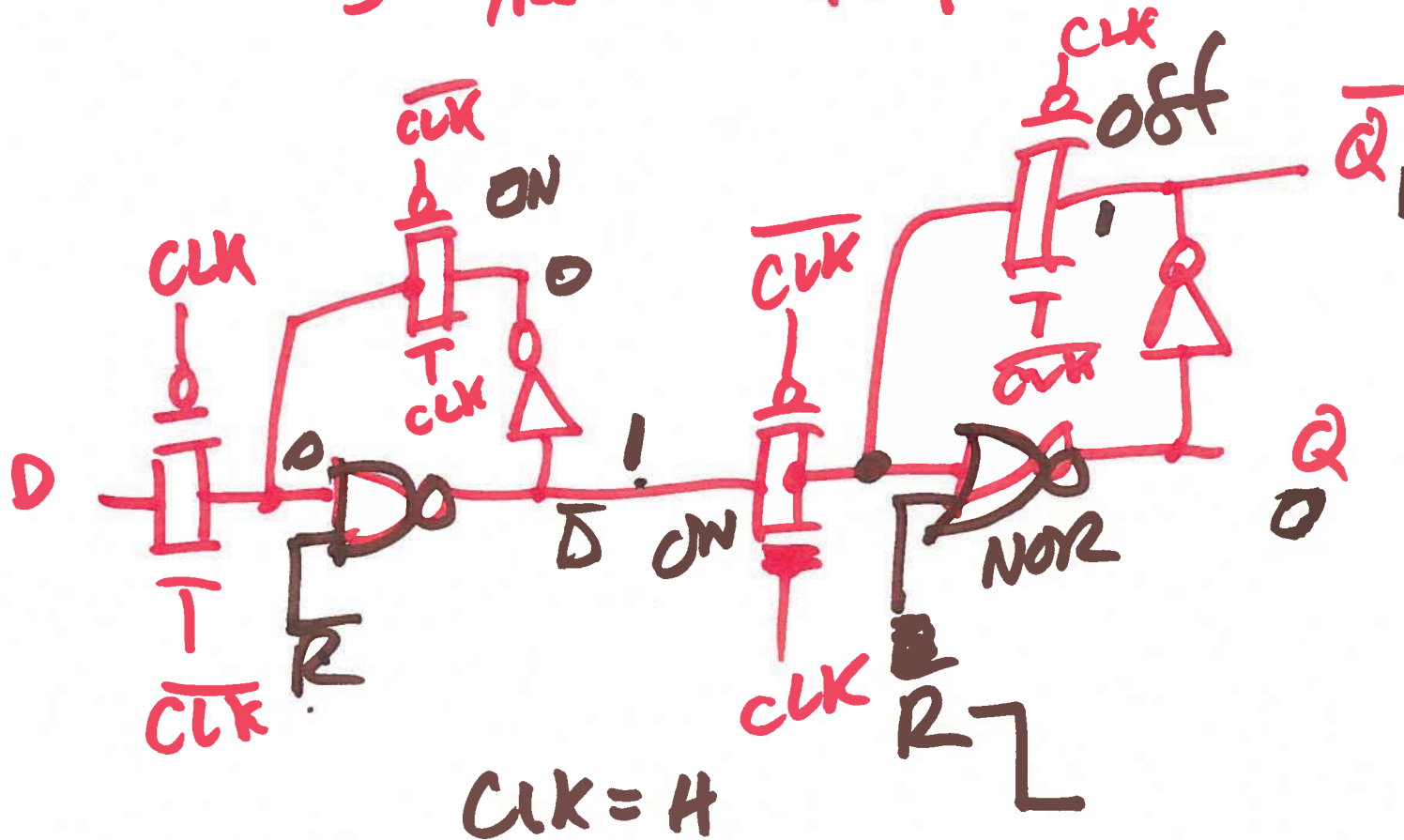
setup & hold times



2)



# SET/RESET Flip-Flop



4)