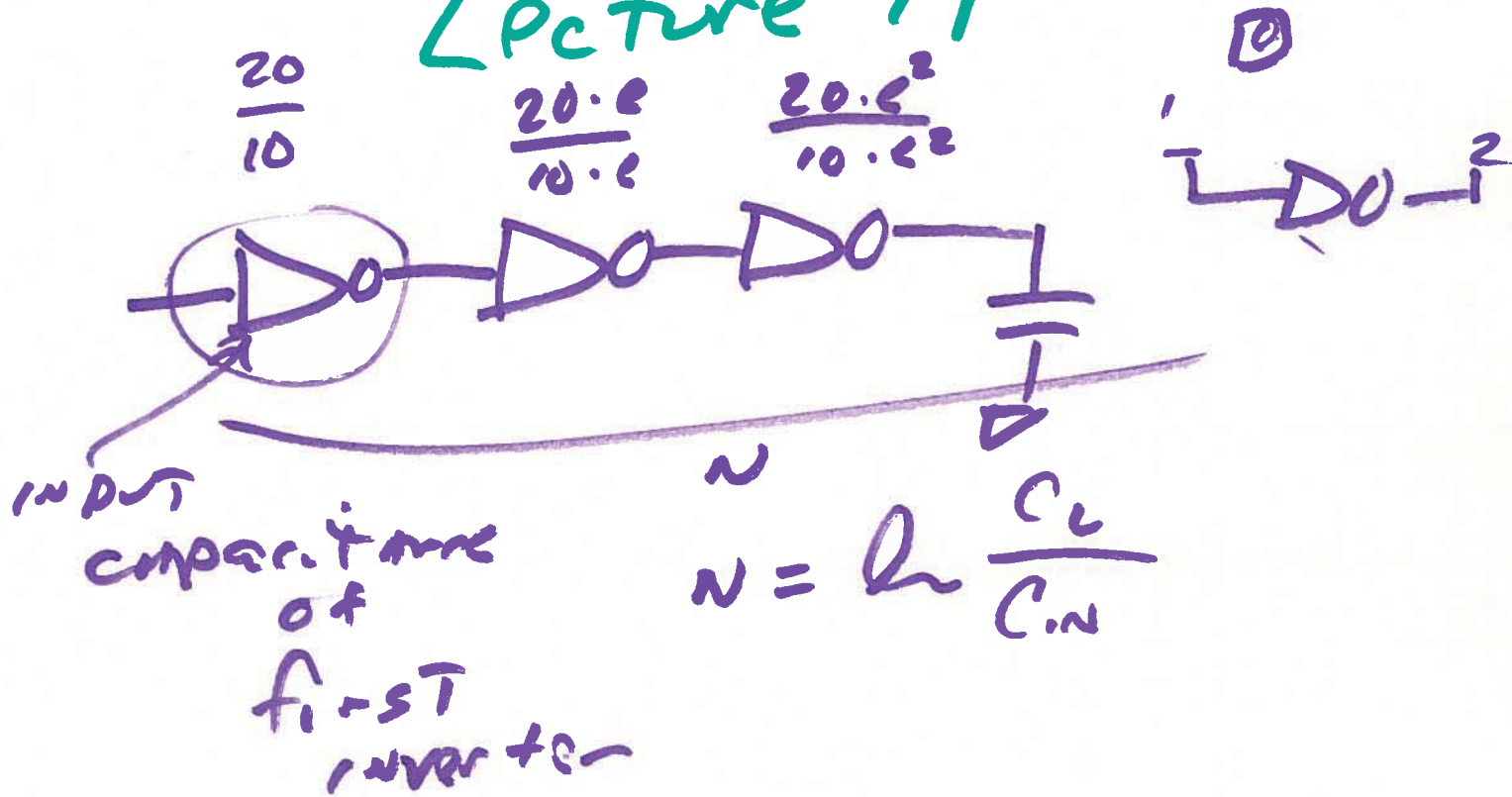


EE 421 / ECG 621

Digital IC Design

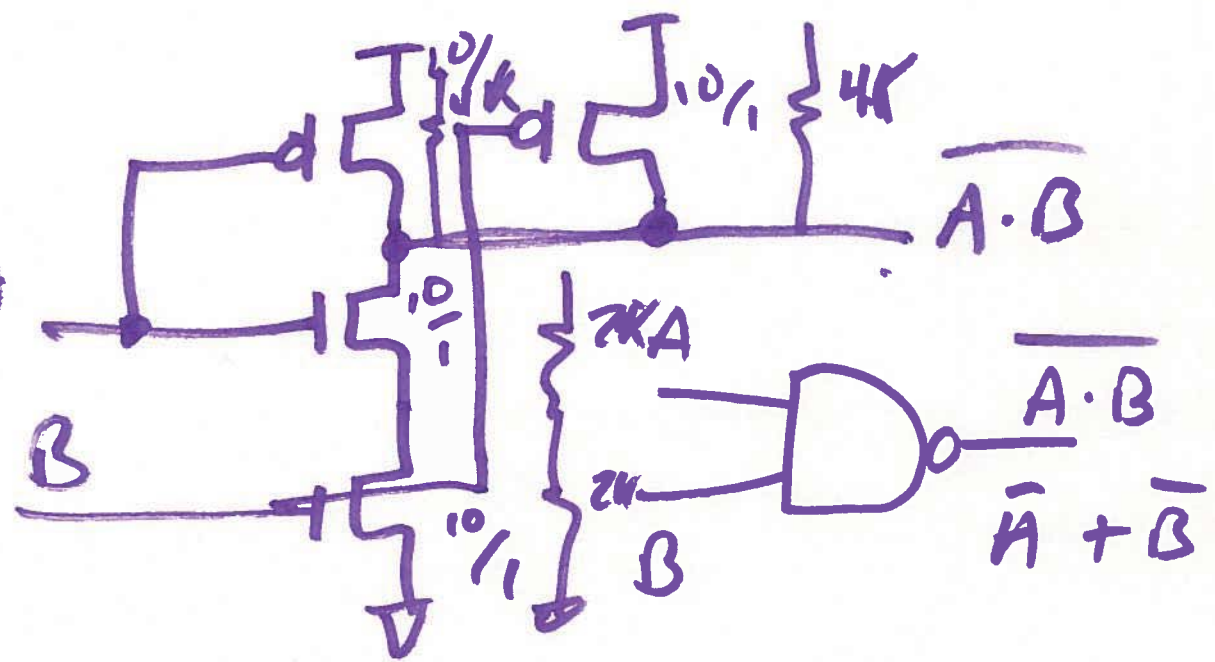
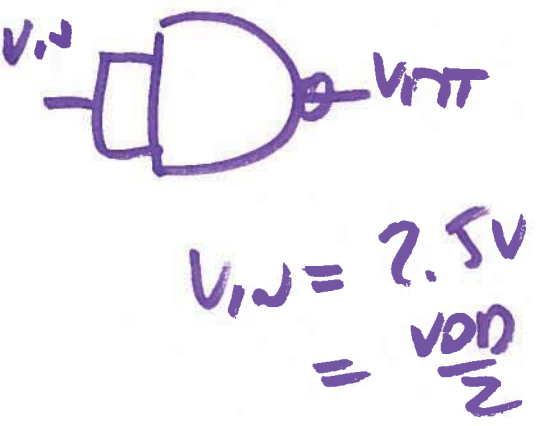
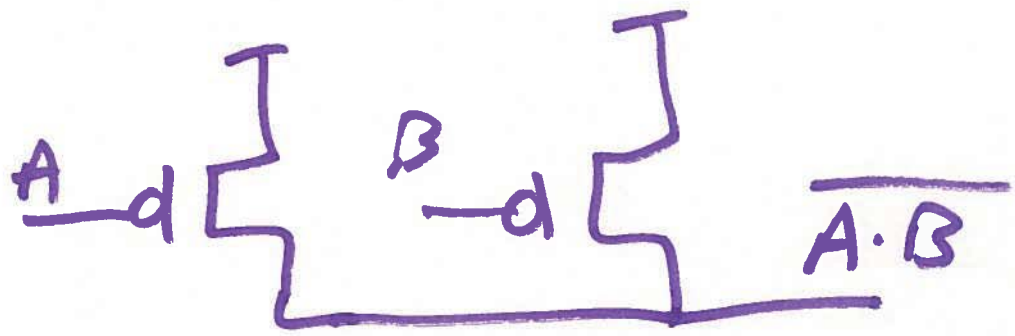
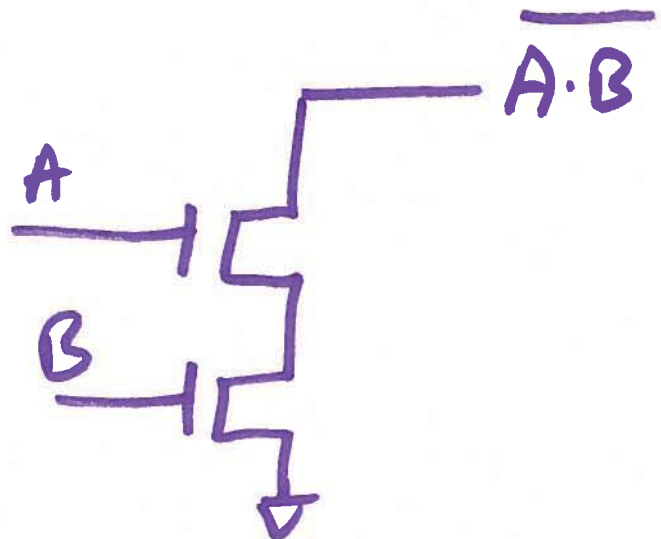
NOV. 6, 2017

Lecture 19



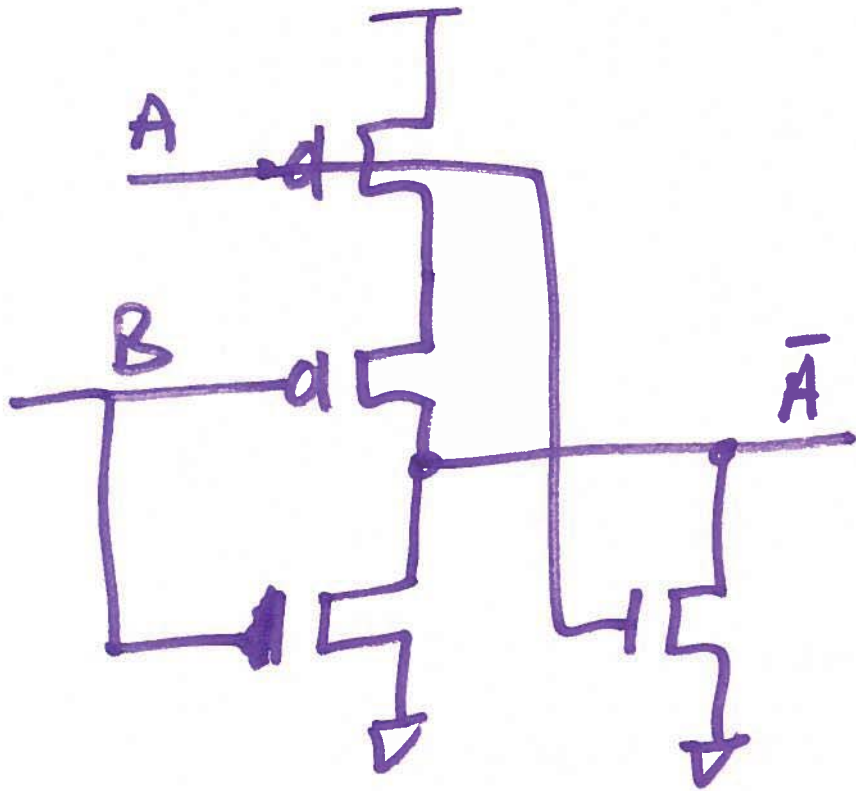
1)

# Static logic



NOR

$$\bar{A} \cdot (C + D) =$$



$$\bar{A} + \bar{B} = \overline{AB} = \overline{A + B}$$

NOR GATE

3)

$$z = \overline{A(B+C)} = \bar{A} + \bar{B}\bar{C}$$

Complex CMOS logic

