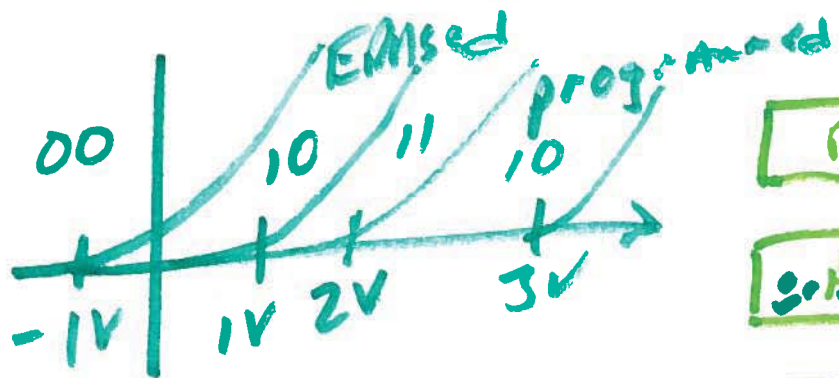


Lecture 26

EE 421/ECG 621

FLASH memory

DEC. 4, 2017



PZ

floating GATE

CONTROL GATE

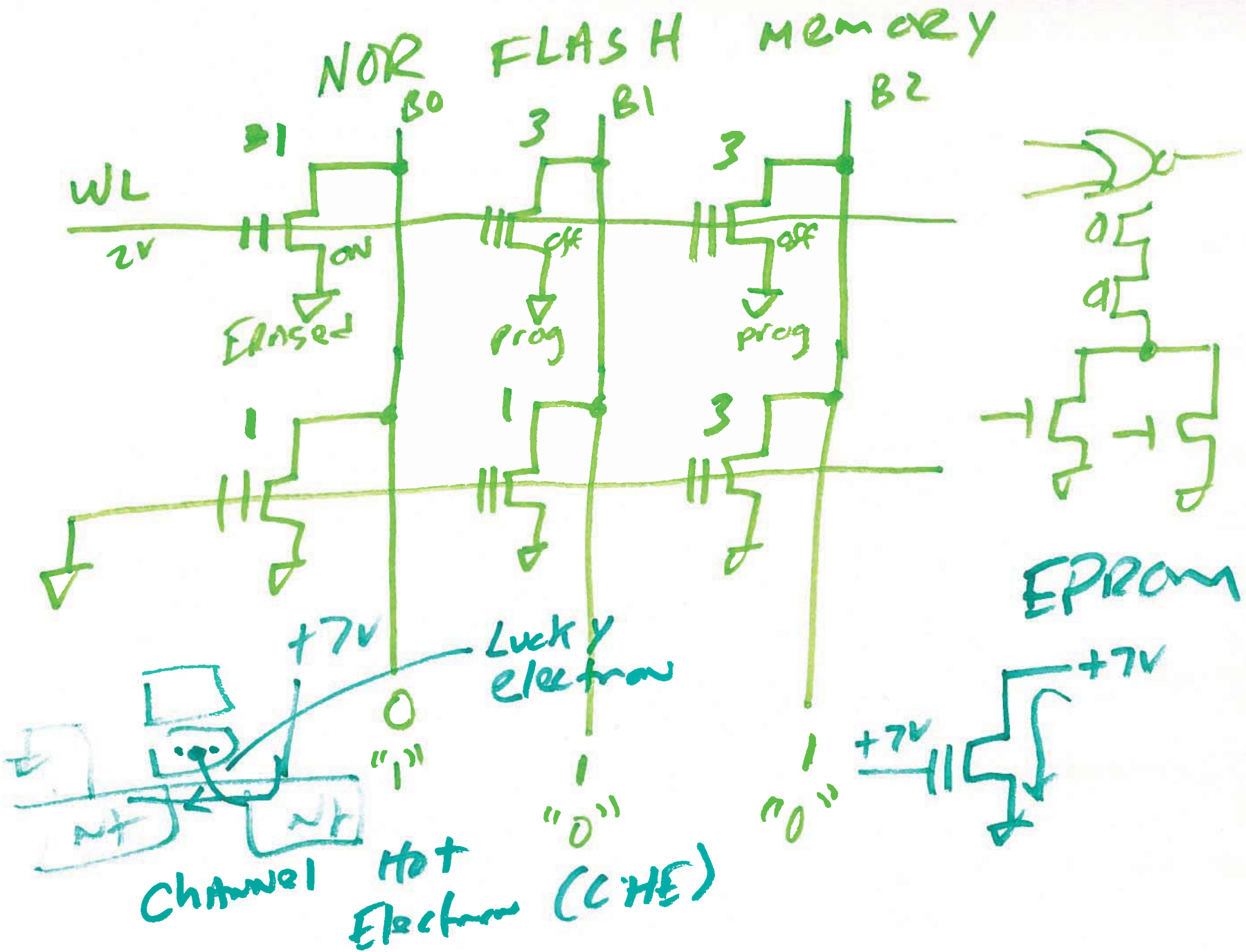


FG memory

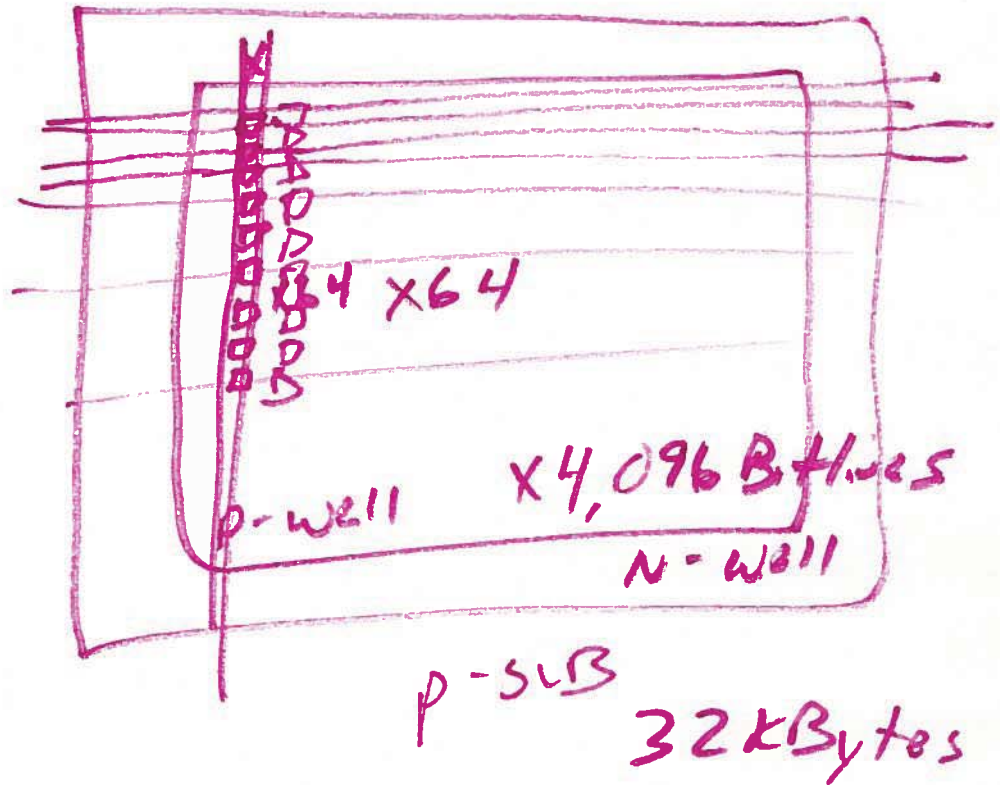
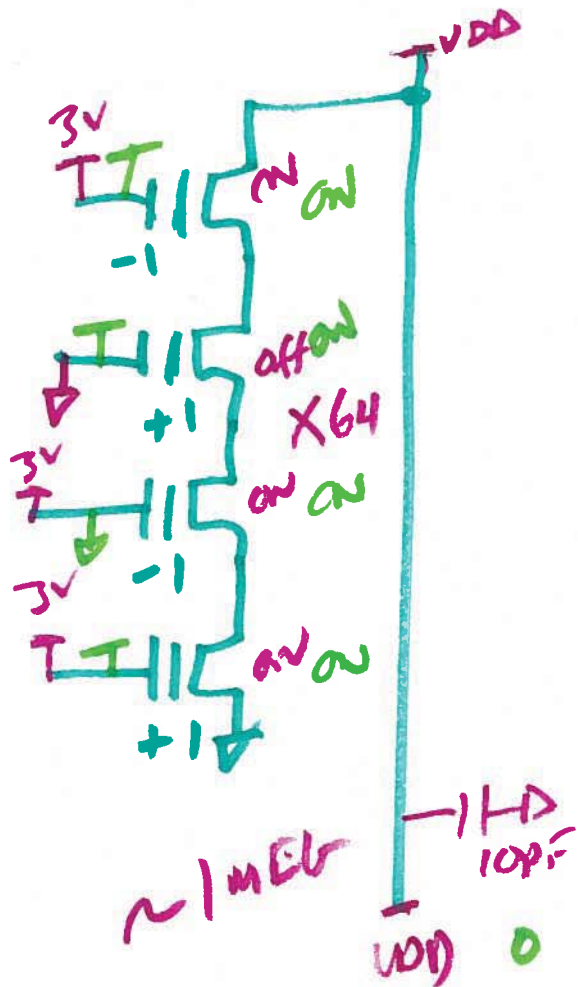
p-5-B

MLC
V_{pp}
V₀
+
|
|
|





NAND Flash memory Block



0 " " " " erased
 1 " " " " programmed

Fowler-Nordheim tunneling (FNT)

