

EE 421 / ECG 621

Digital IC Design

NOV. 14, 2018

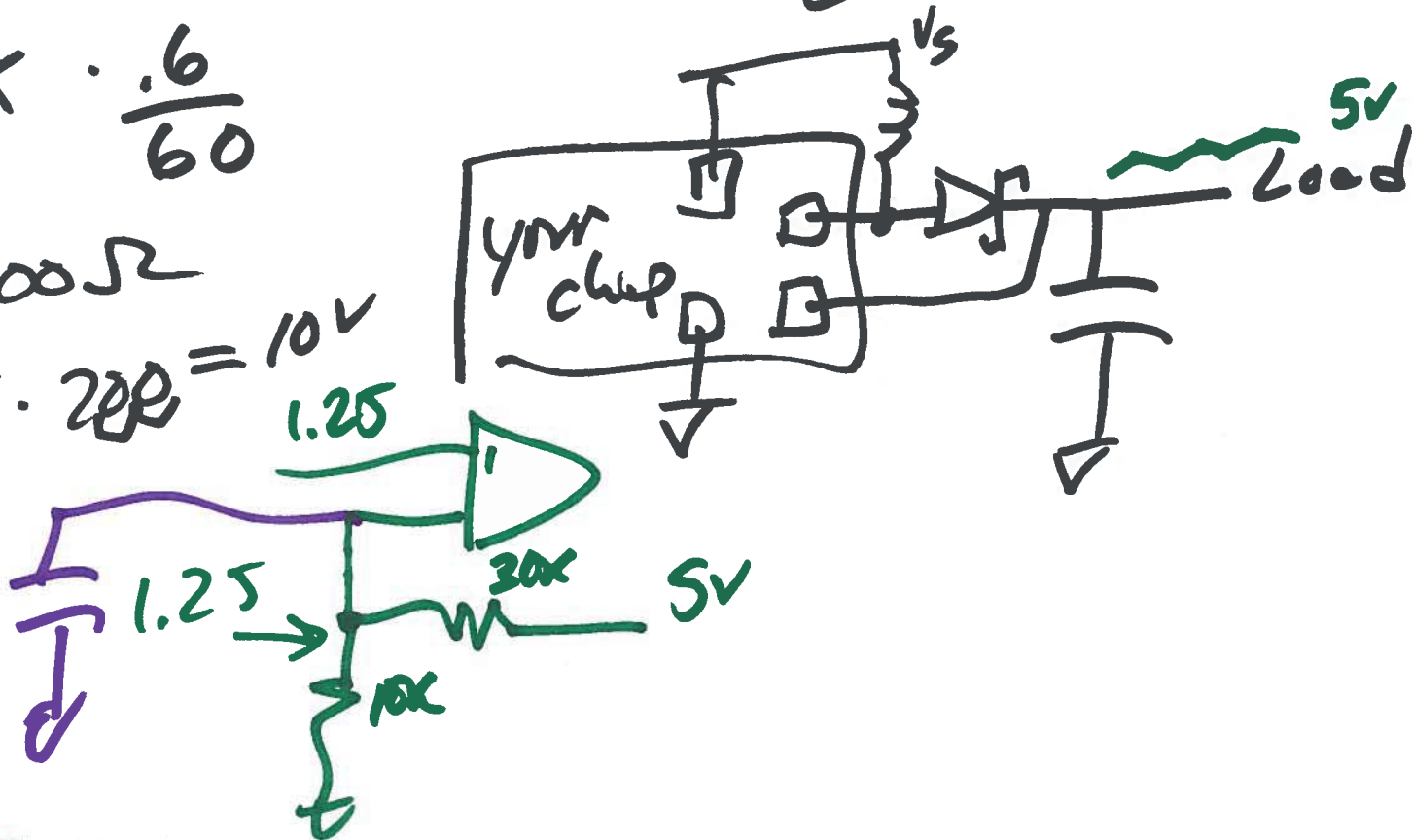
Lecture 21

$$20k \cdot \frac{4}{w}$$

$$20k \cdot \frac{.6}{60}$$

$$200\Omega$$

$$.5 \cdot 200 = 10V$$



1)