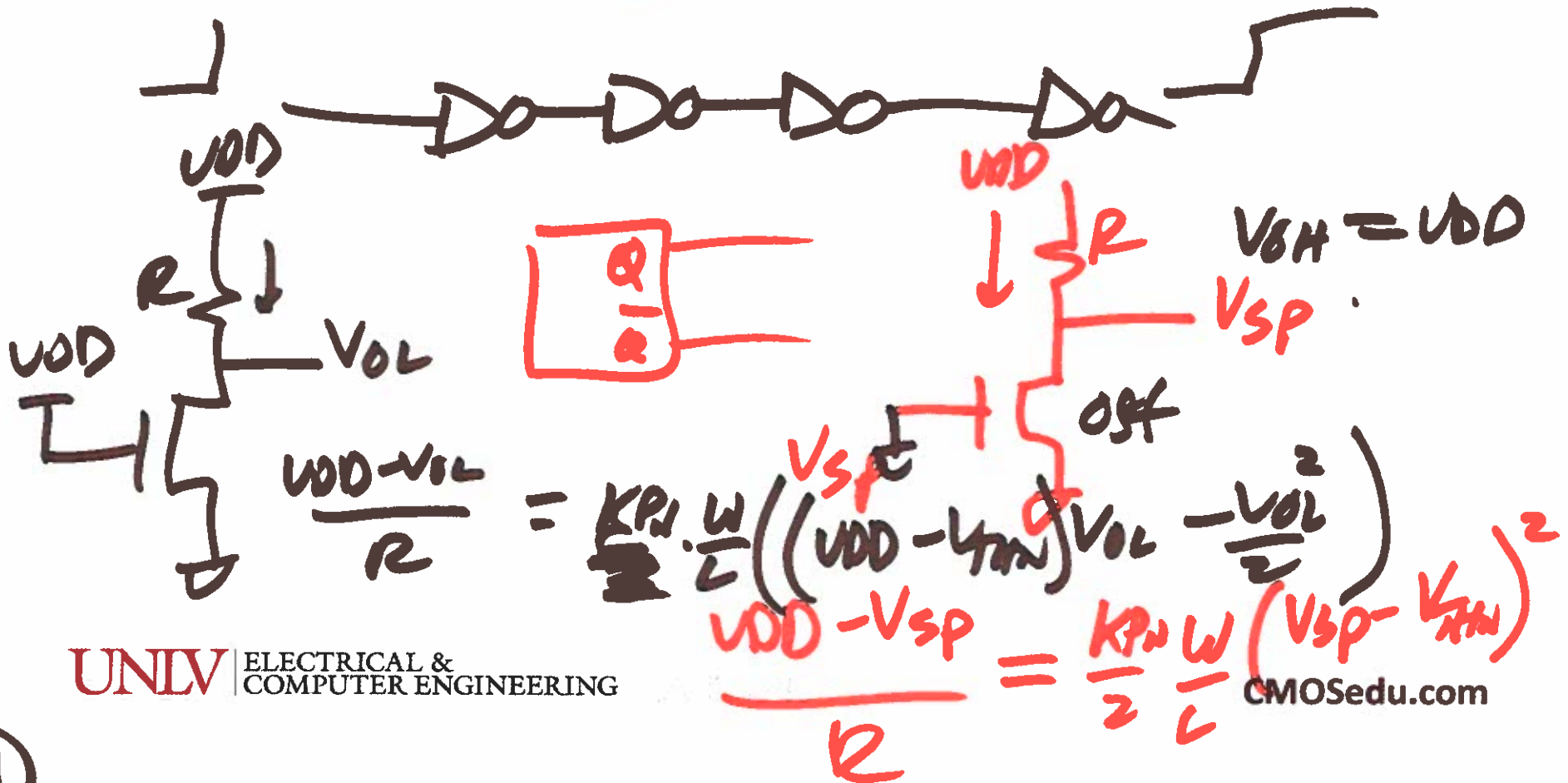


EE 421 / ECG 621

Digital IC Design

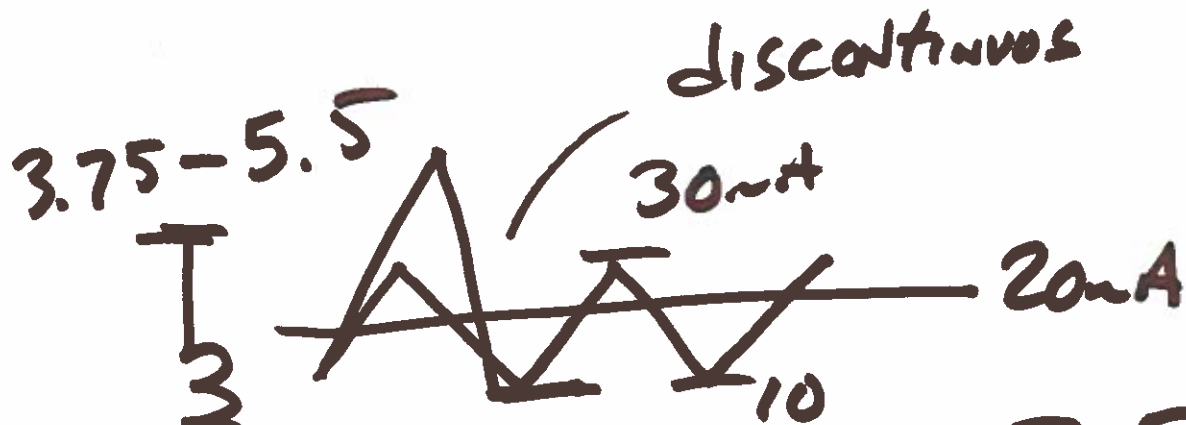
NOV. 4, 2019

Lecture 19

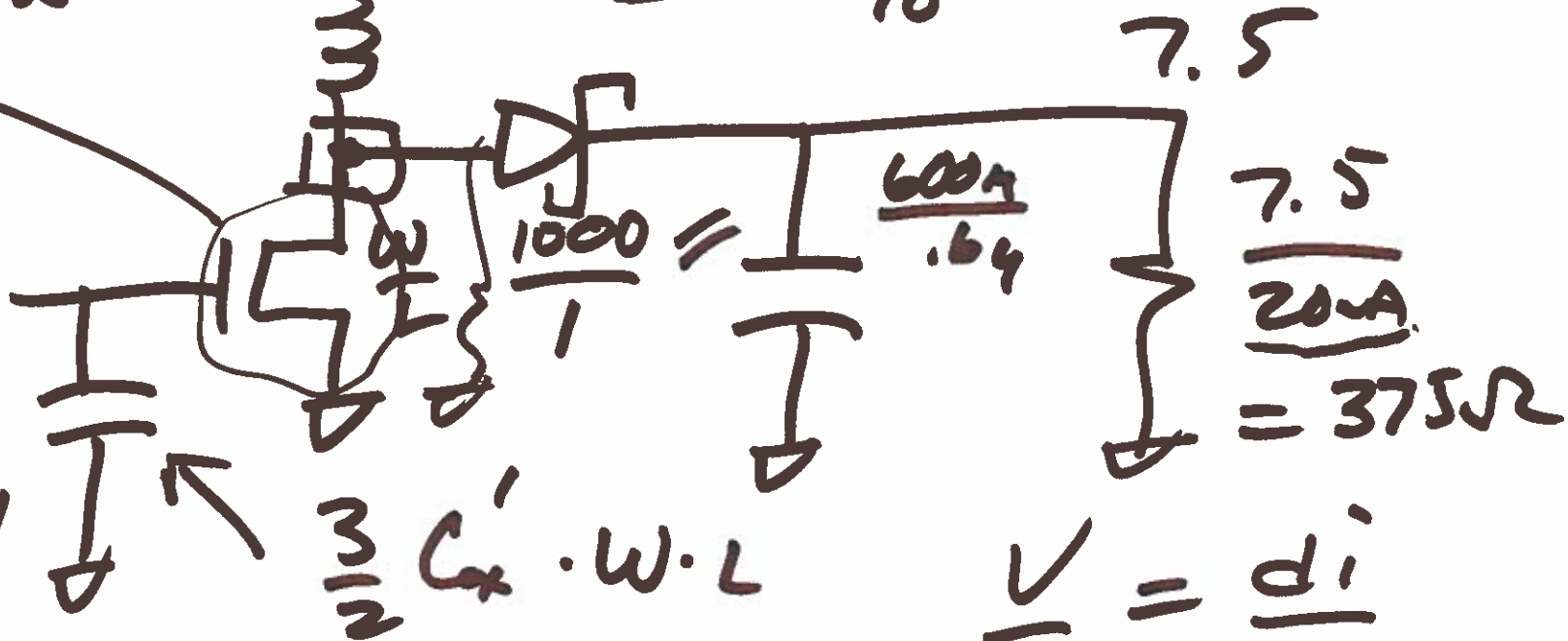


1)

$$R_w = 20K \cdot \frac{L}{W}$$



$$30nA \cdot 20 = 600nV$$



$$V_{DS} = \frac{V_s}{1-D}$$

$$\frac{V}{L} = \frac{di}{dt}$$



2)