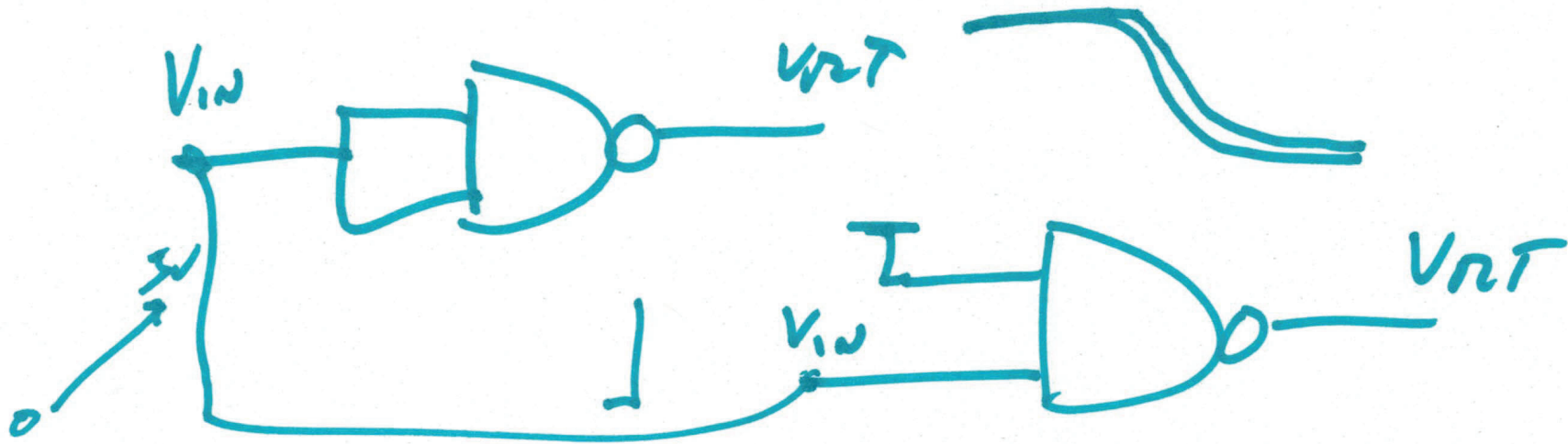


EE 421/ELG 621

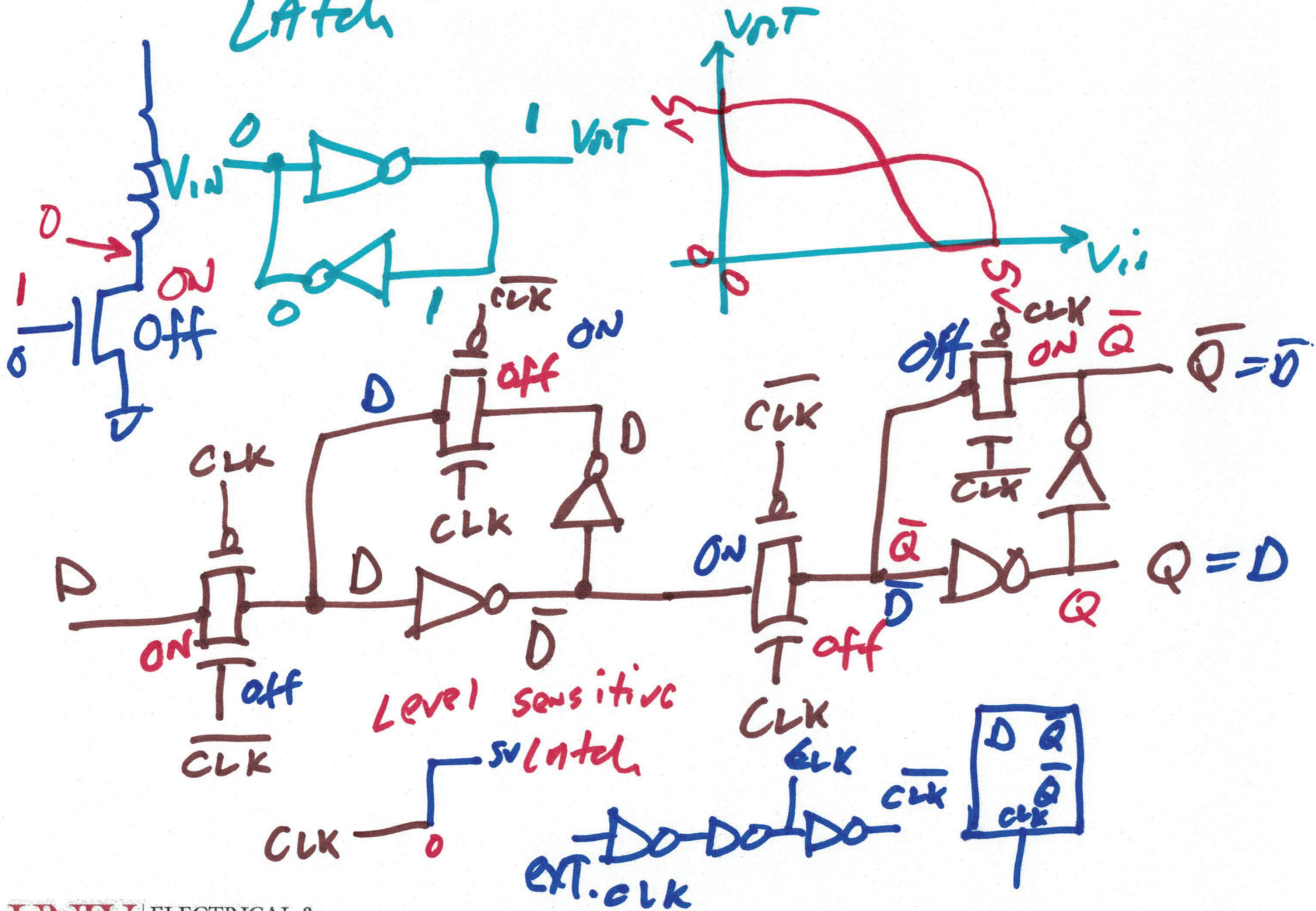
Digital IC Design

NOV. 9, 2020

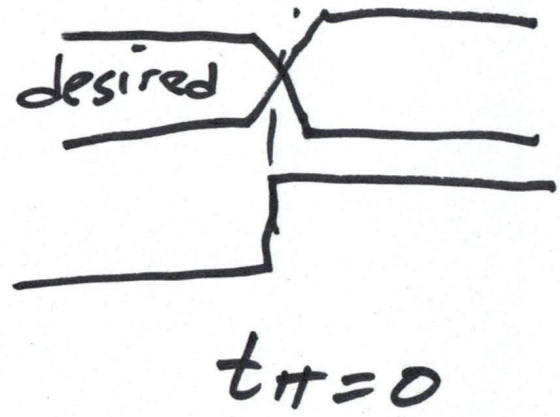
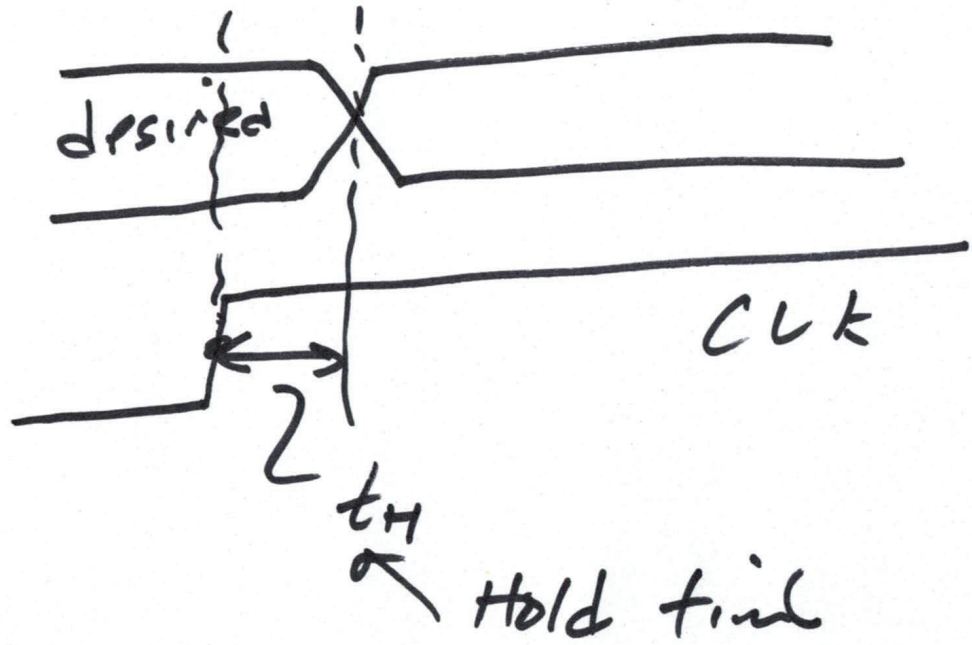
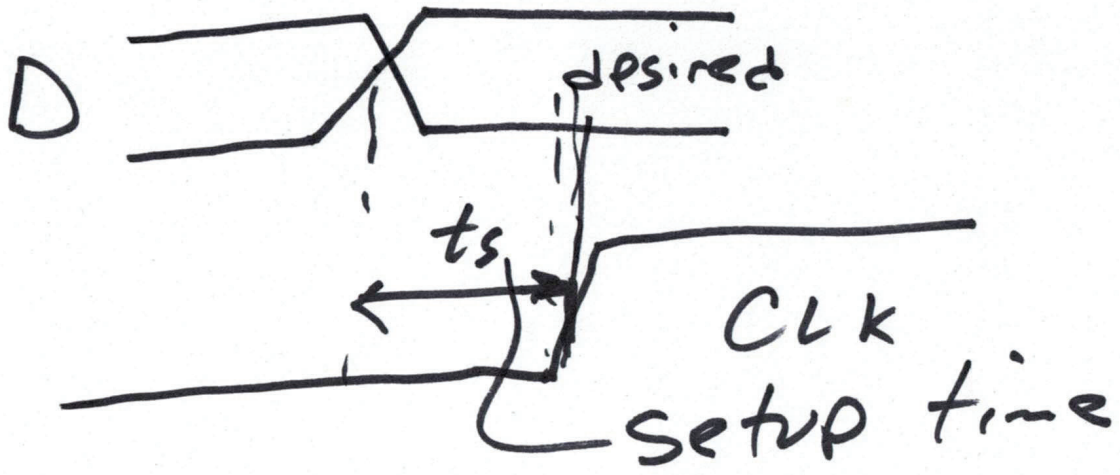
Lecture 9, 2020



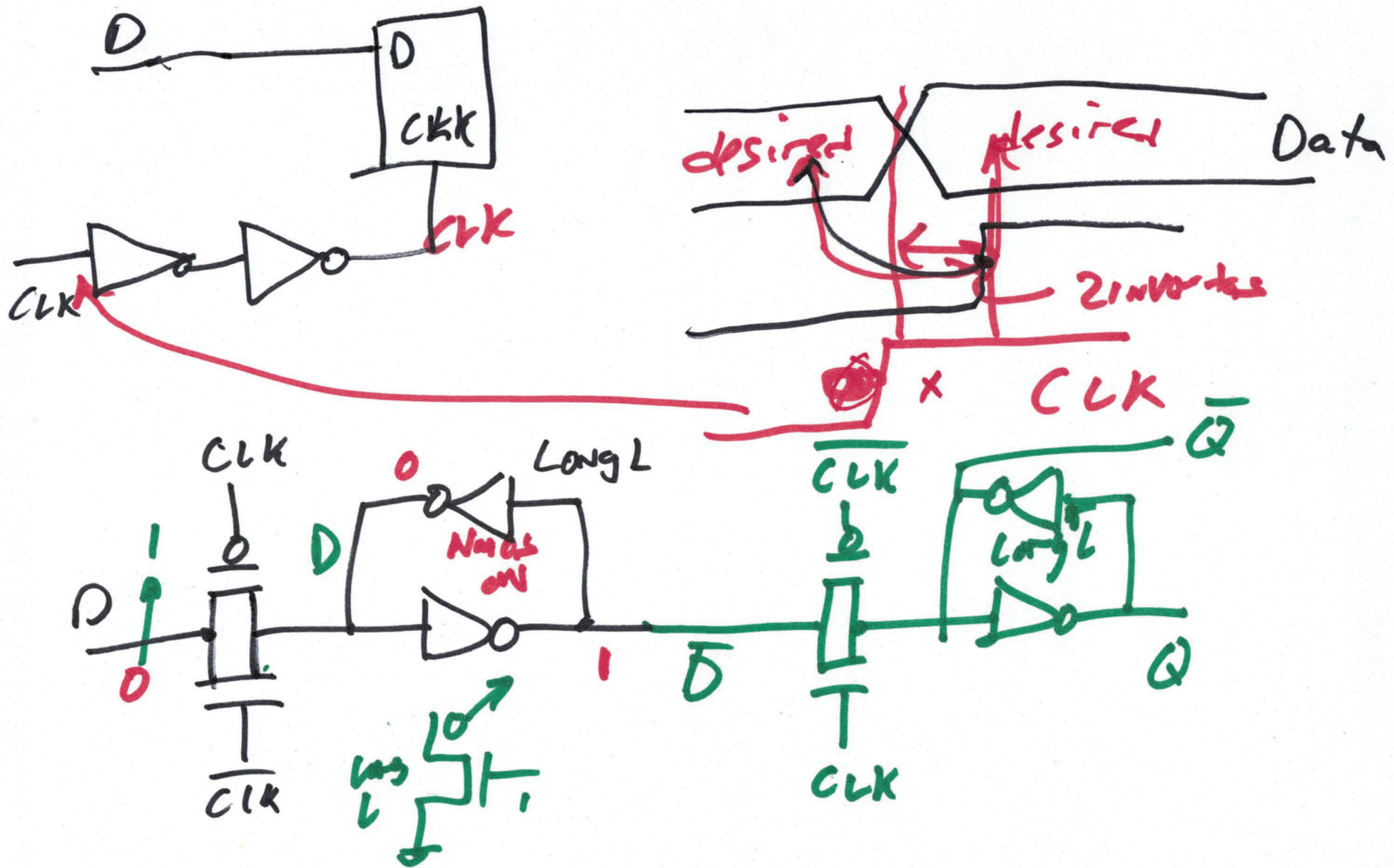
Latch

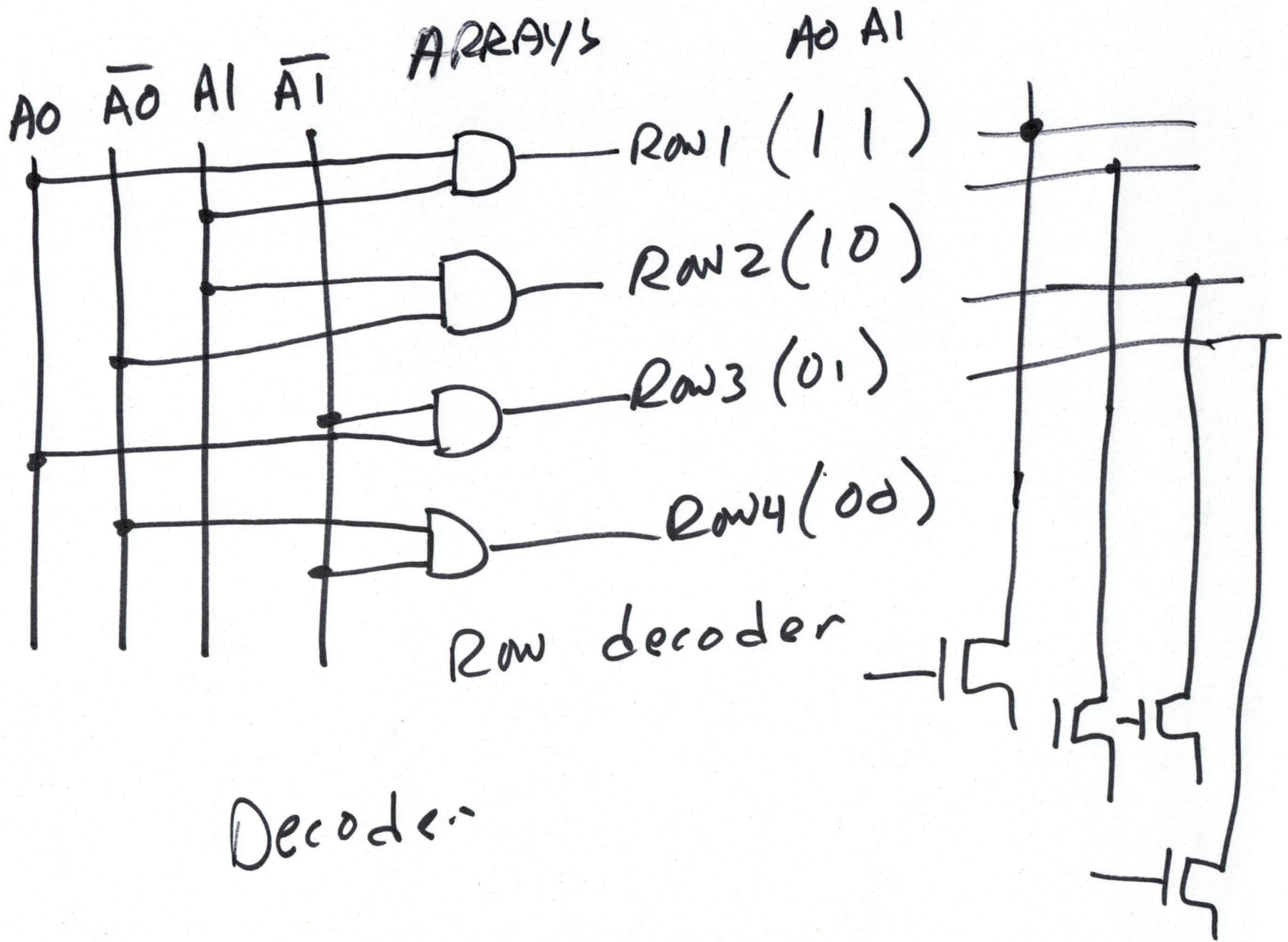


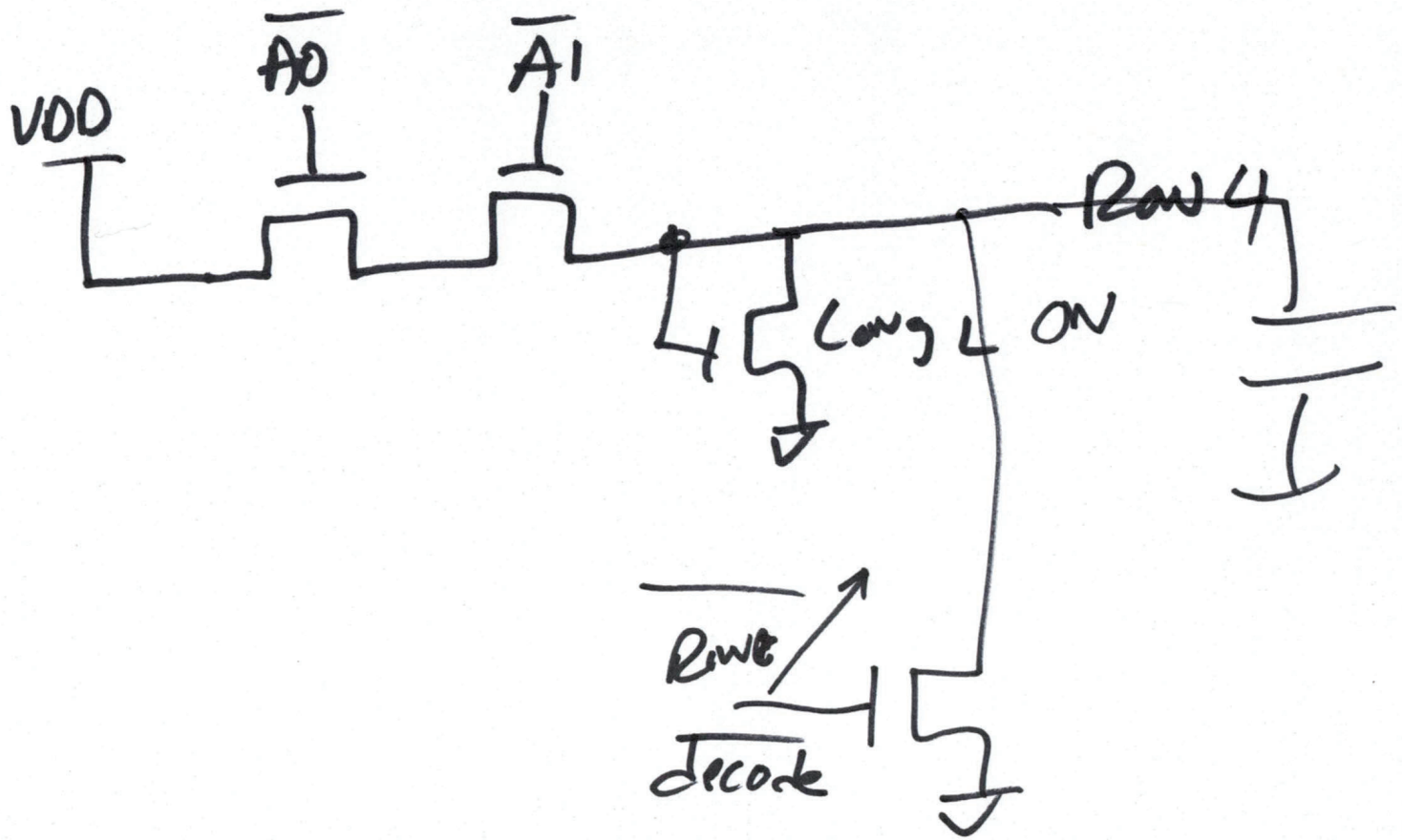
2)



3)

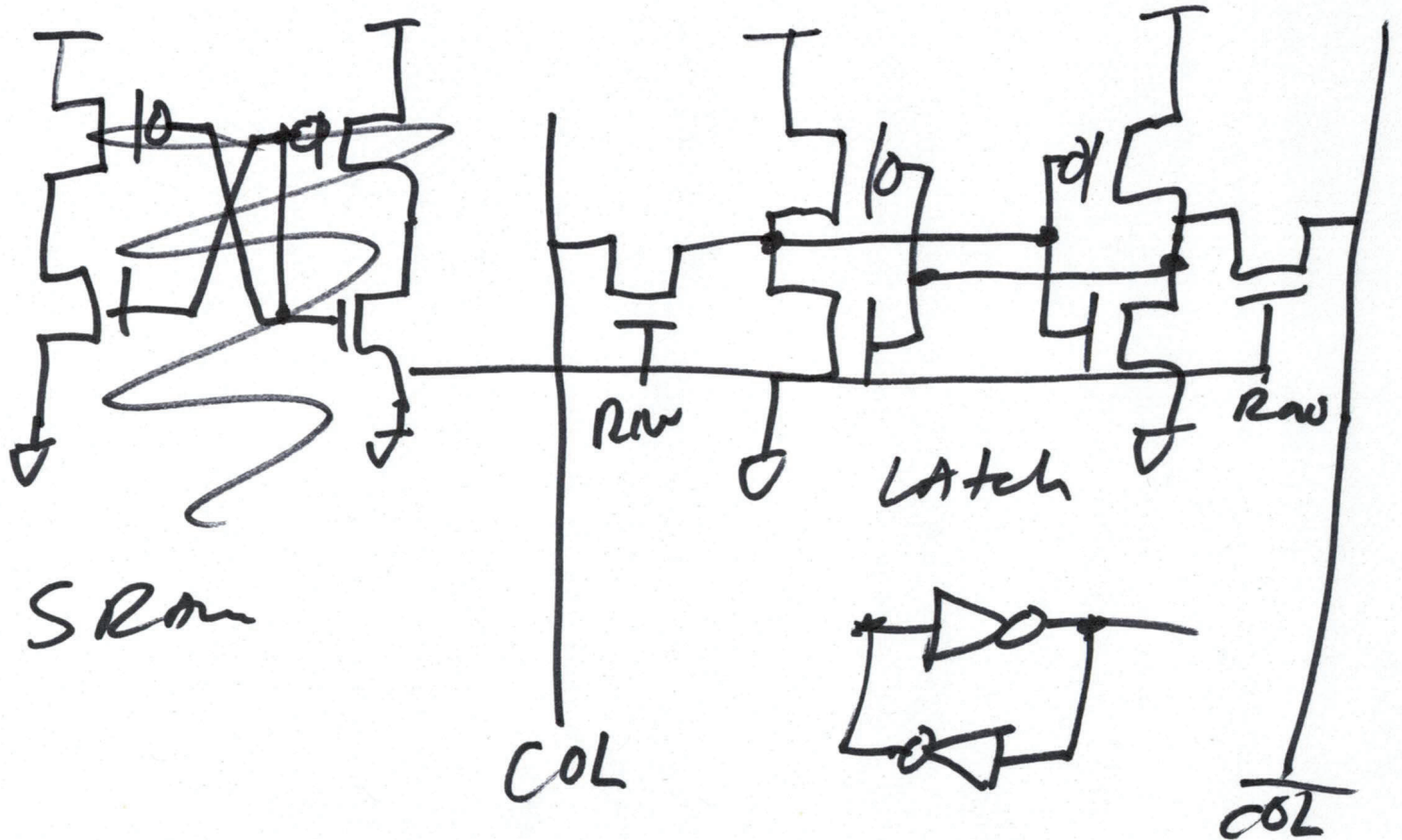






SRAM

Static Random
Access
memory



6T - SRAM