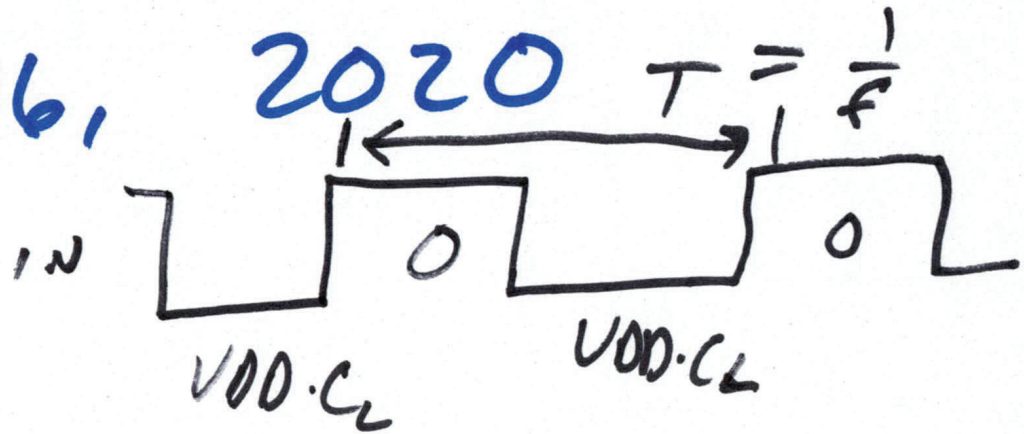
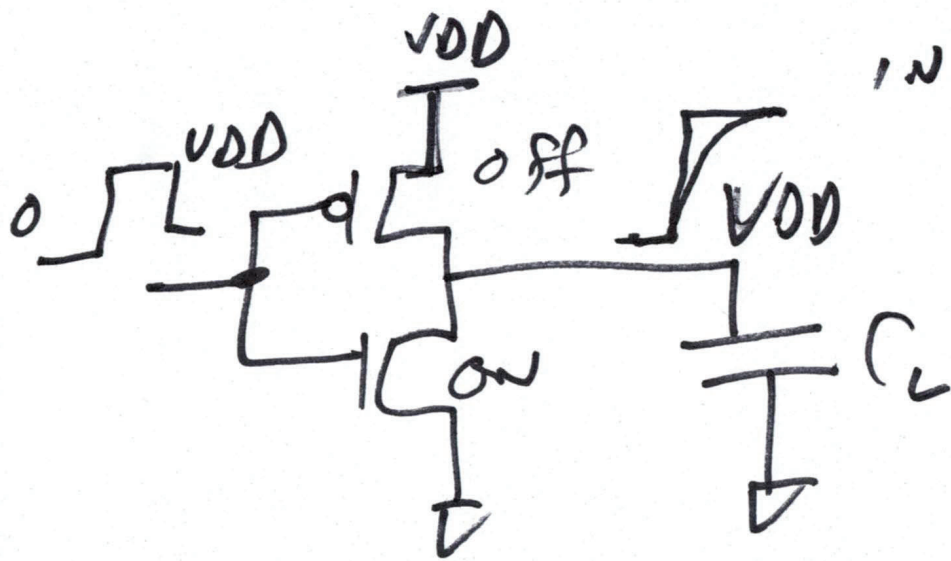


EE 421 / ELG 621

Lecture 22

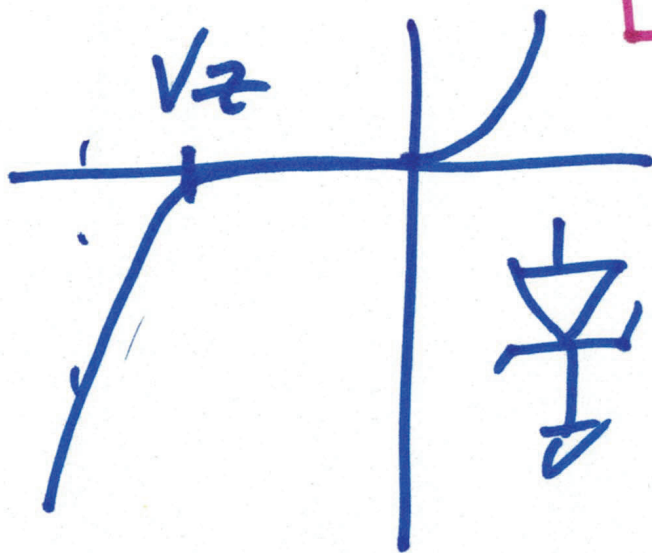
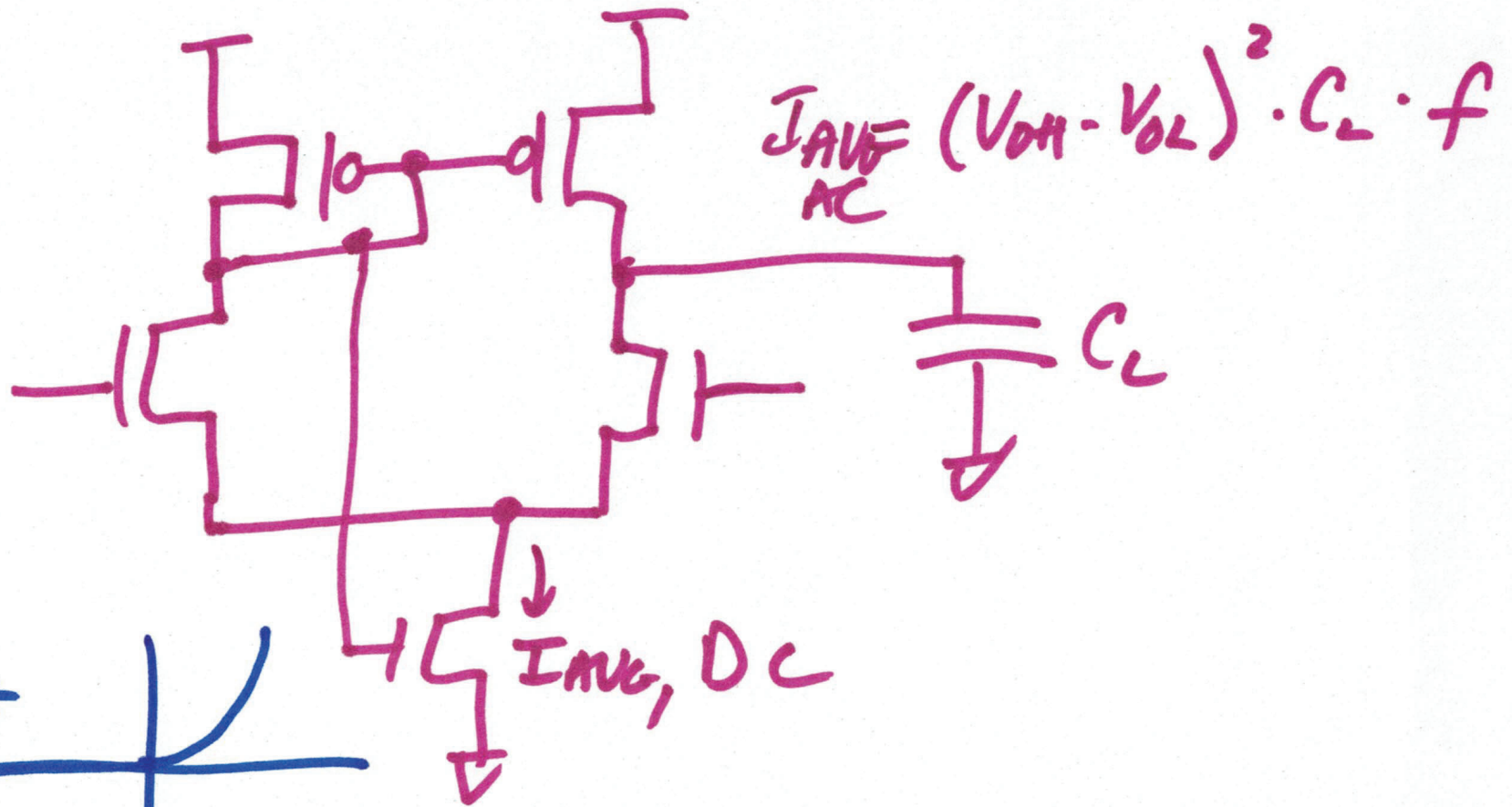
Nov. 16, 2020 $T = \frac{1}{f}$



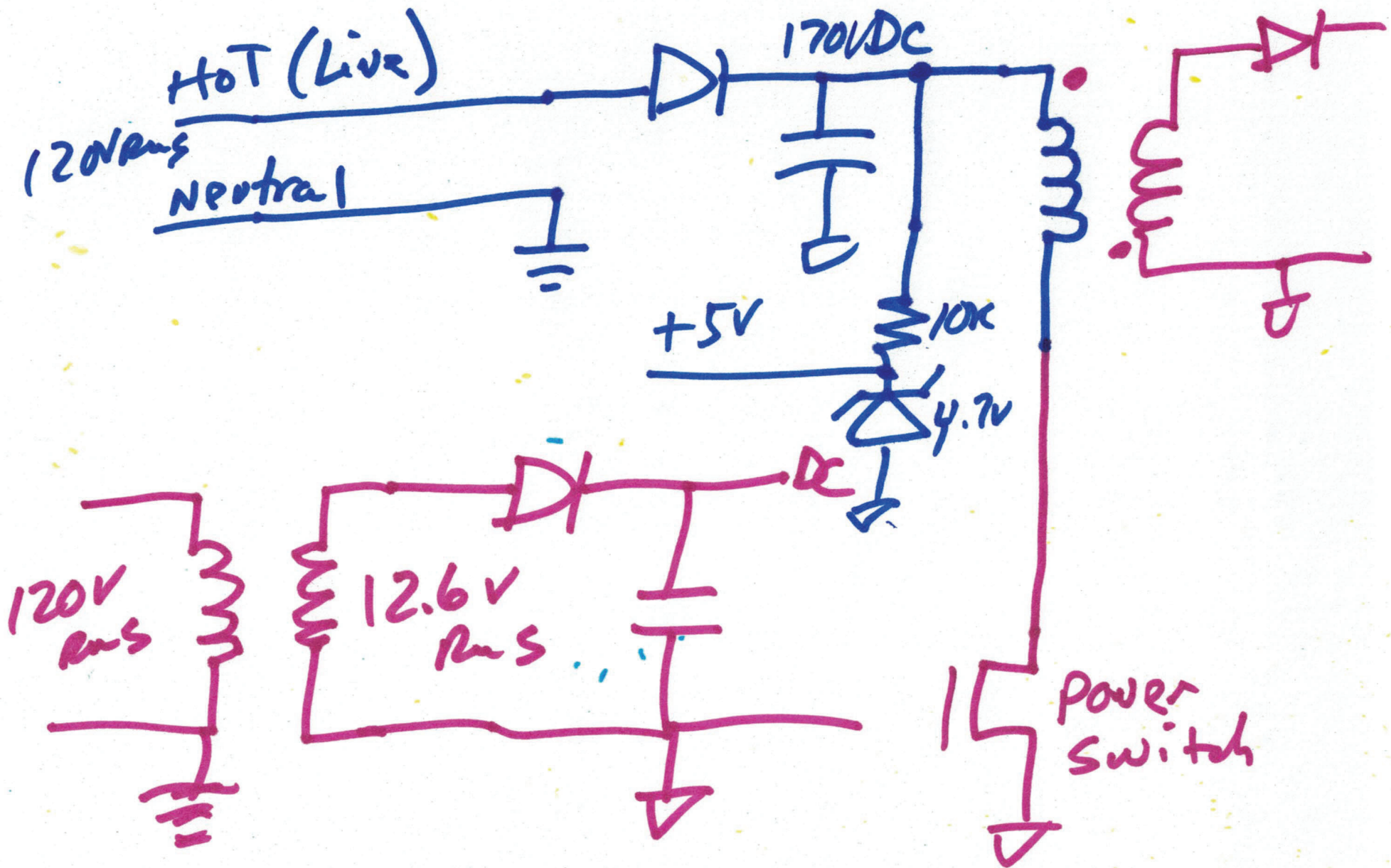
$$I_{AVG} = \frac{V_{DD} \cdot C_L}{T}$$

$$I_{AVG} = V_{DD} \cdot C_L \cdot f$$

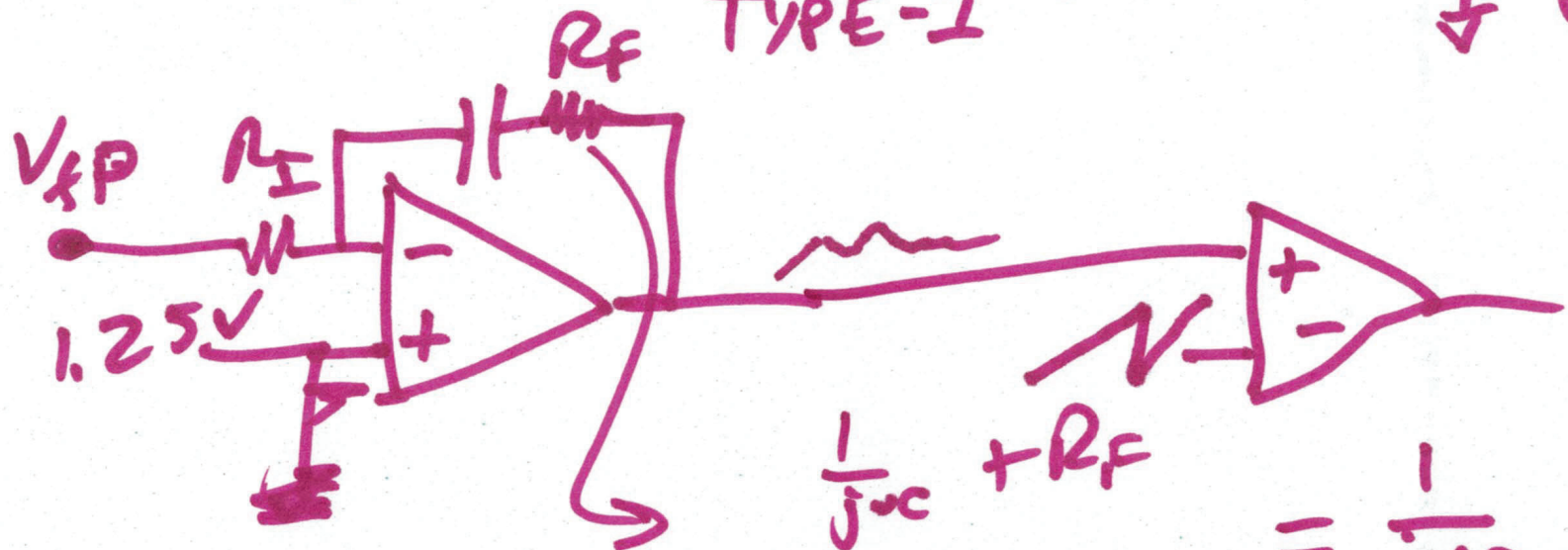
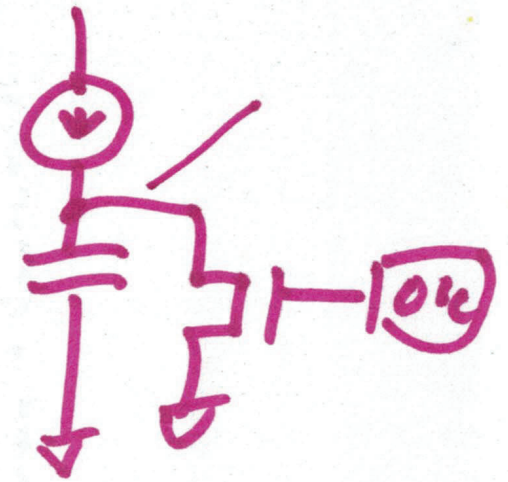
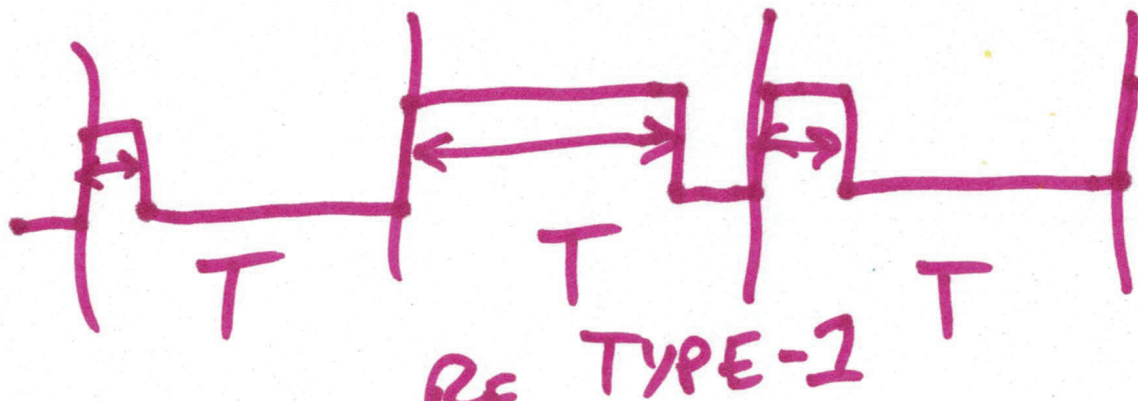
$$P_{AVG} = I_{AVG} \cdot V_{DD} = V_{DD}^2 \cdot C_L \cdot f$$



2)



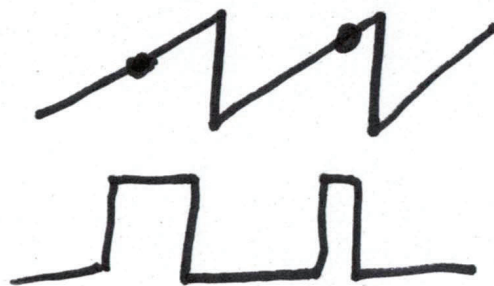
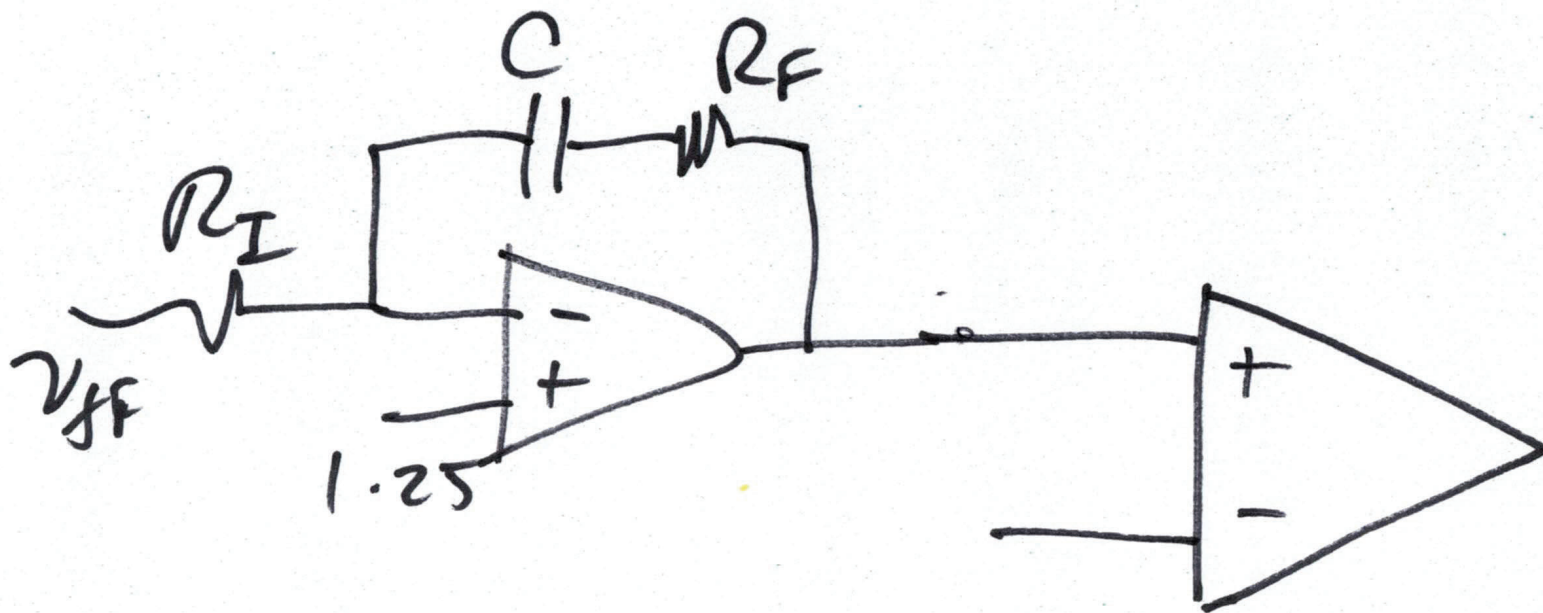
3)



$$\frac{\frac{1}{j\omega C} + R_F}{R_I} = \frac{1}{j\omega R_I C} + \frac{R_F}{R_I}$$

↑ *Integral*
↑ *Proportional*

4)



PWM
 is added
 to the
 data