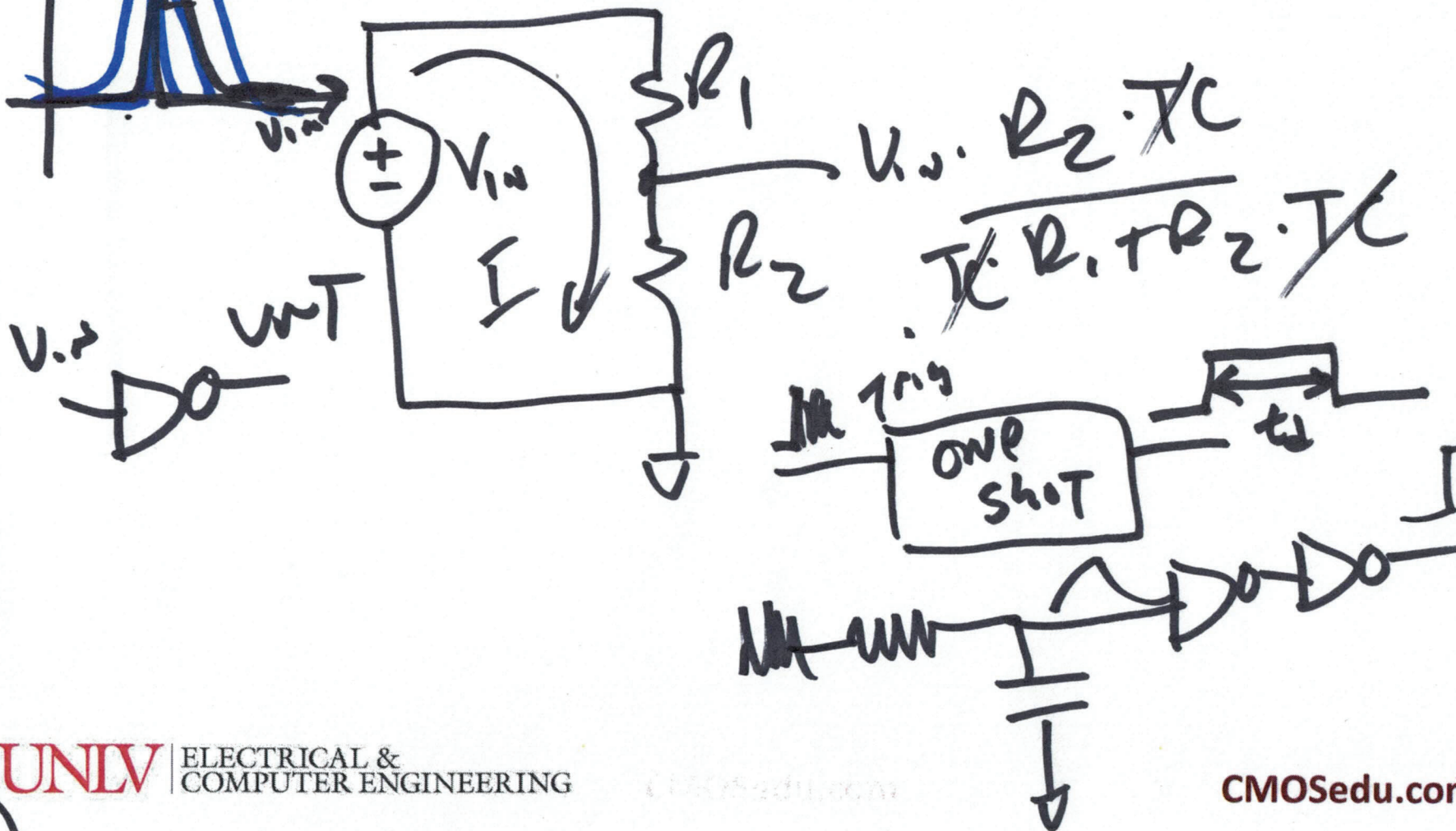
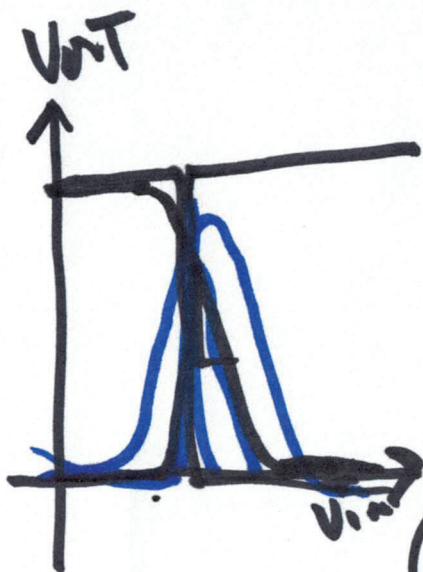
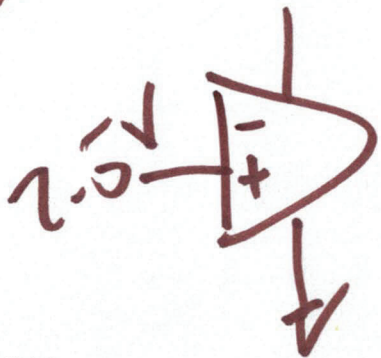
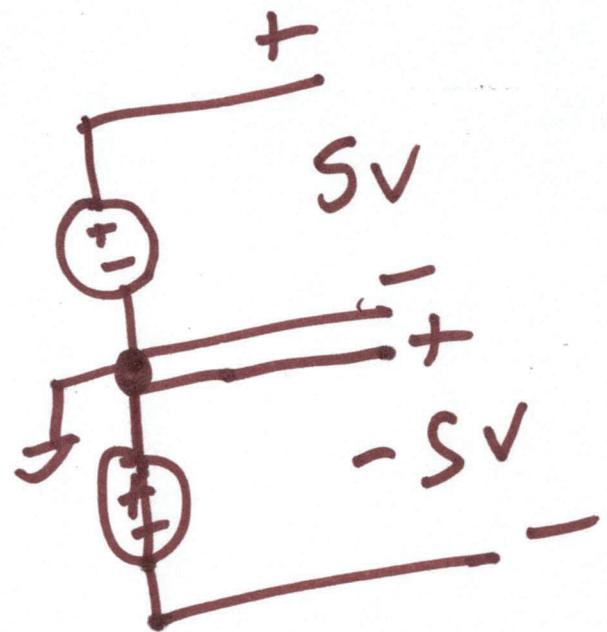
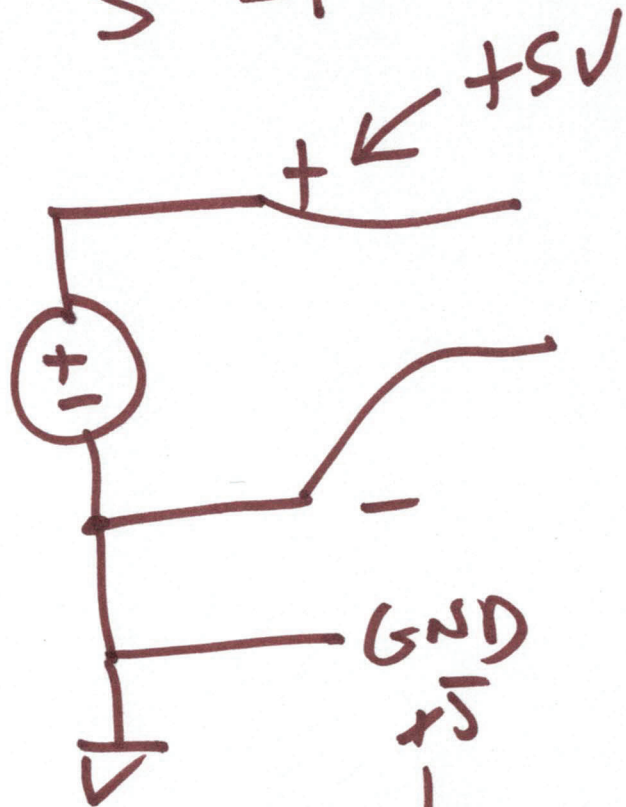
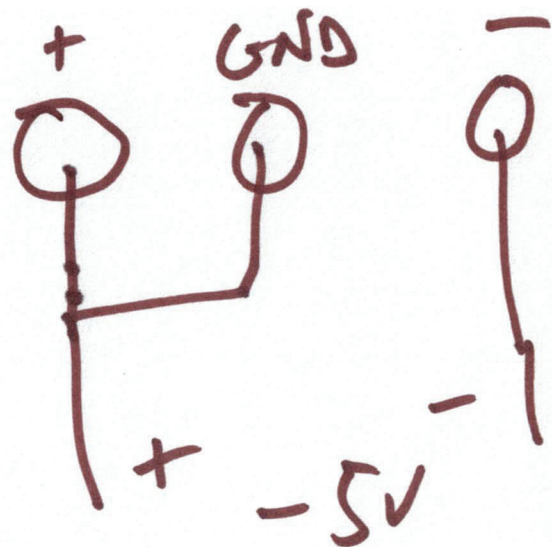
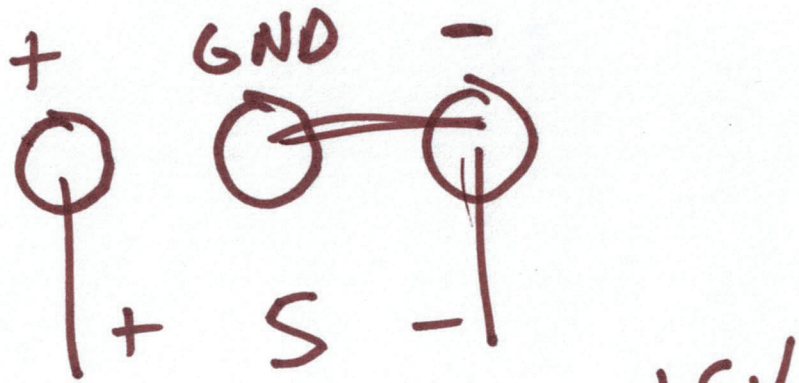


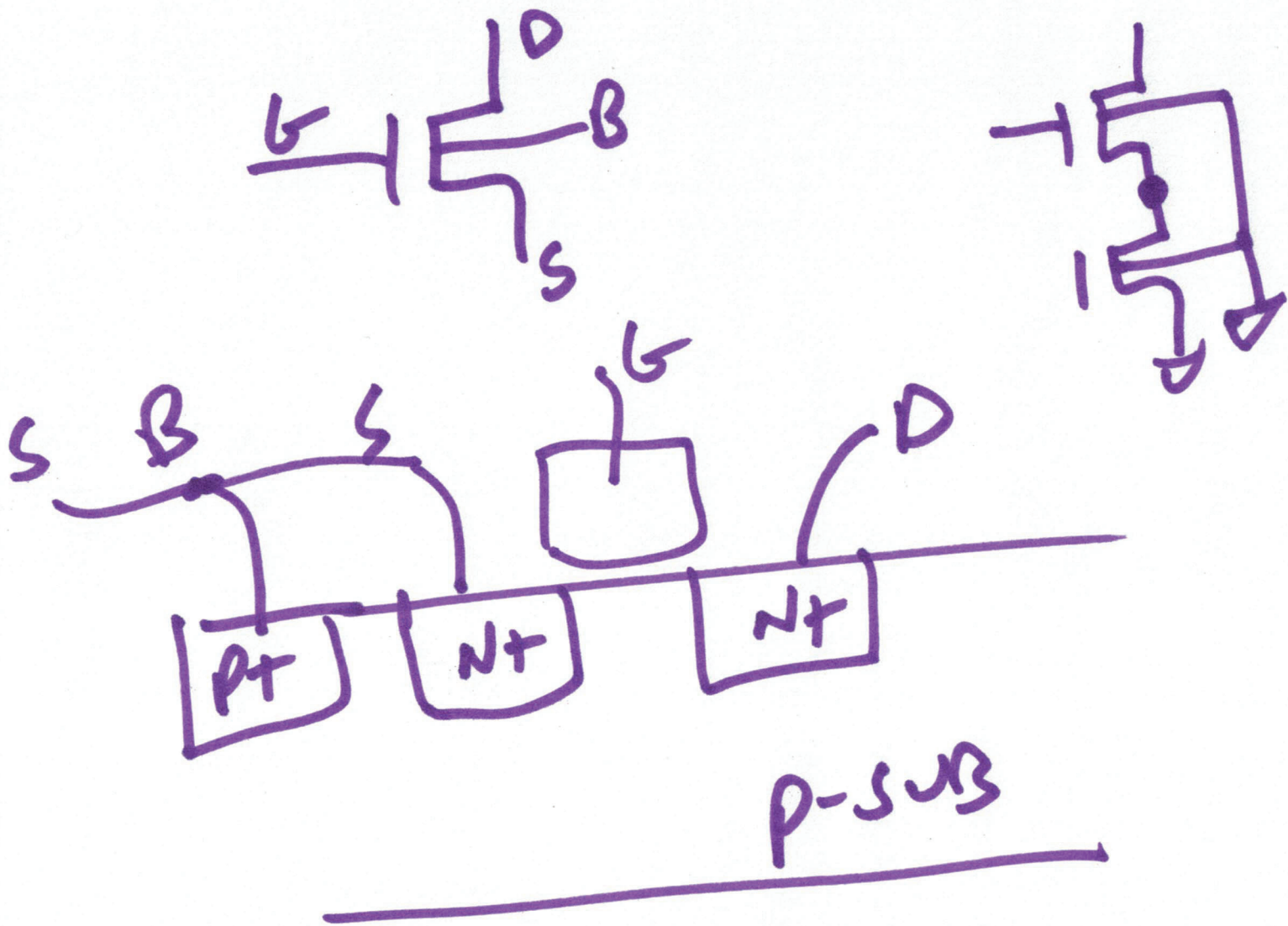
EE 442 / ECG 642

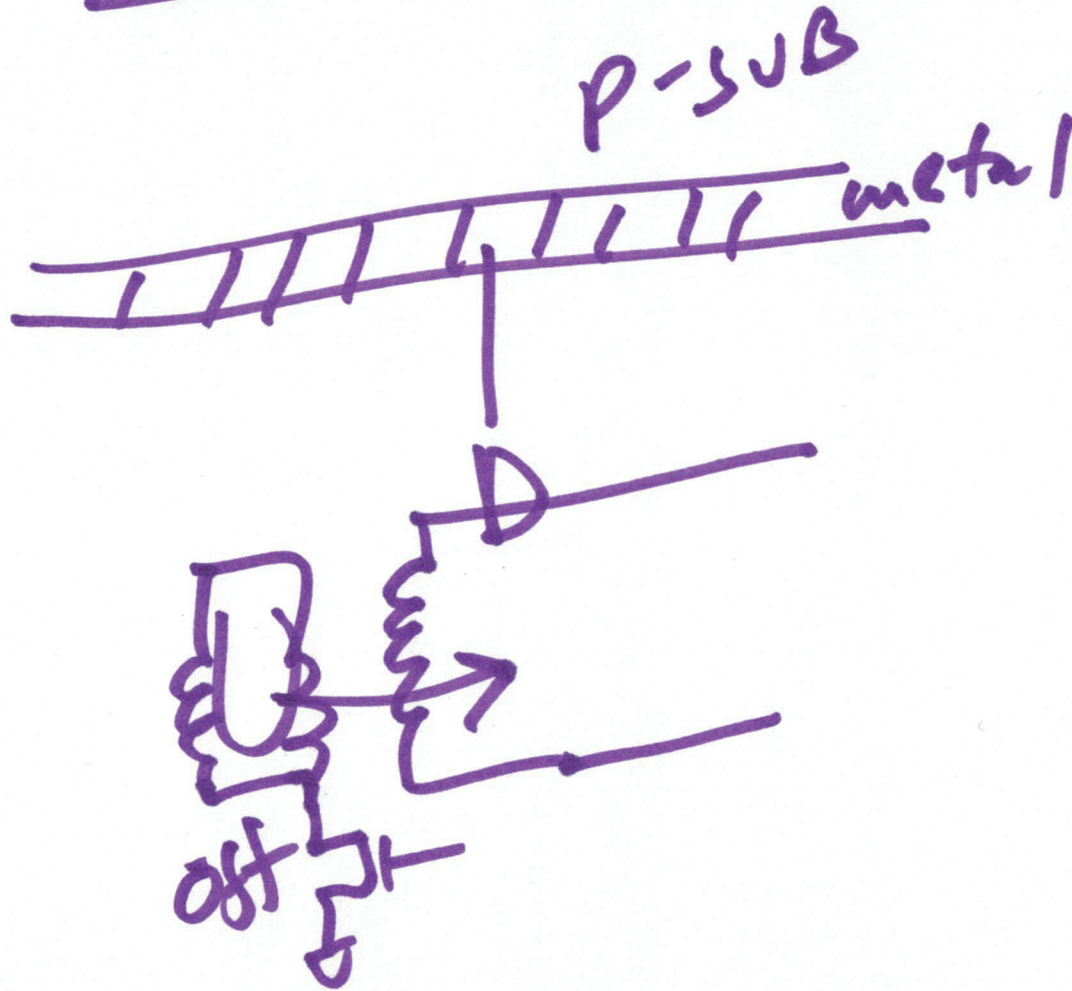
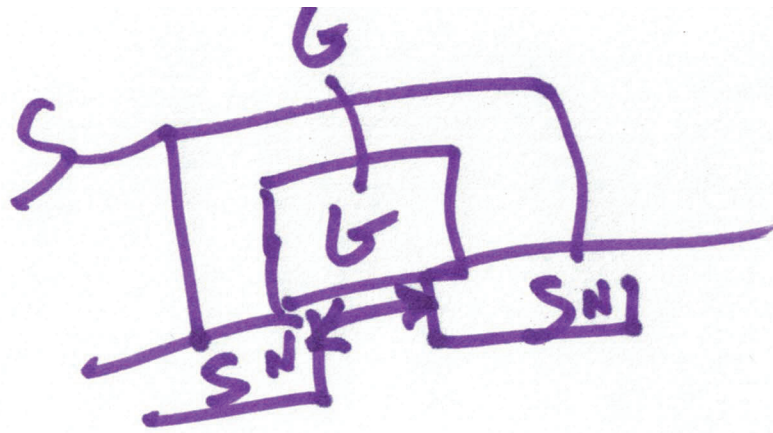
Power Electronics

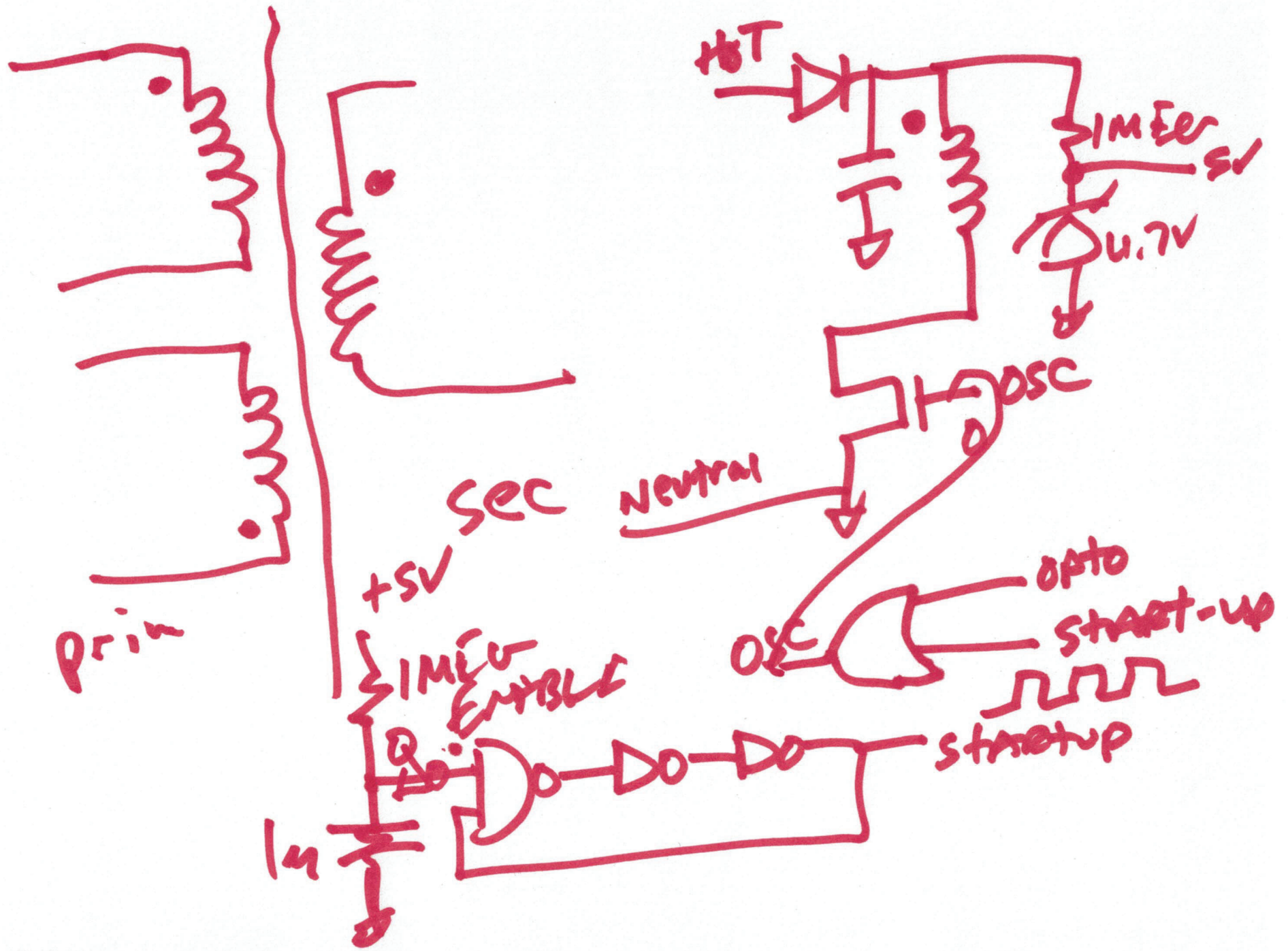
Lecture 21, 11/16/2022

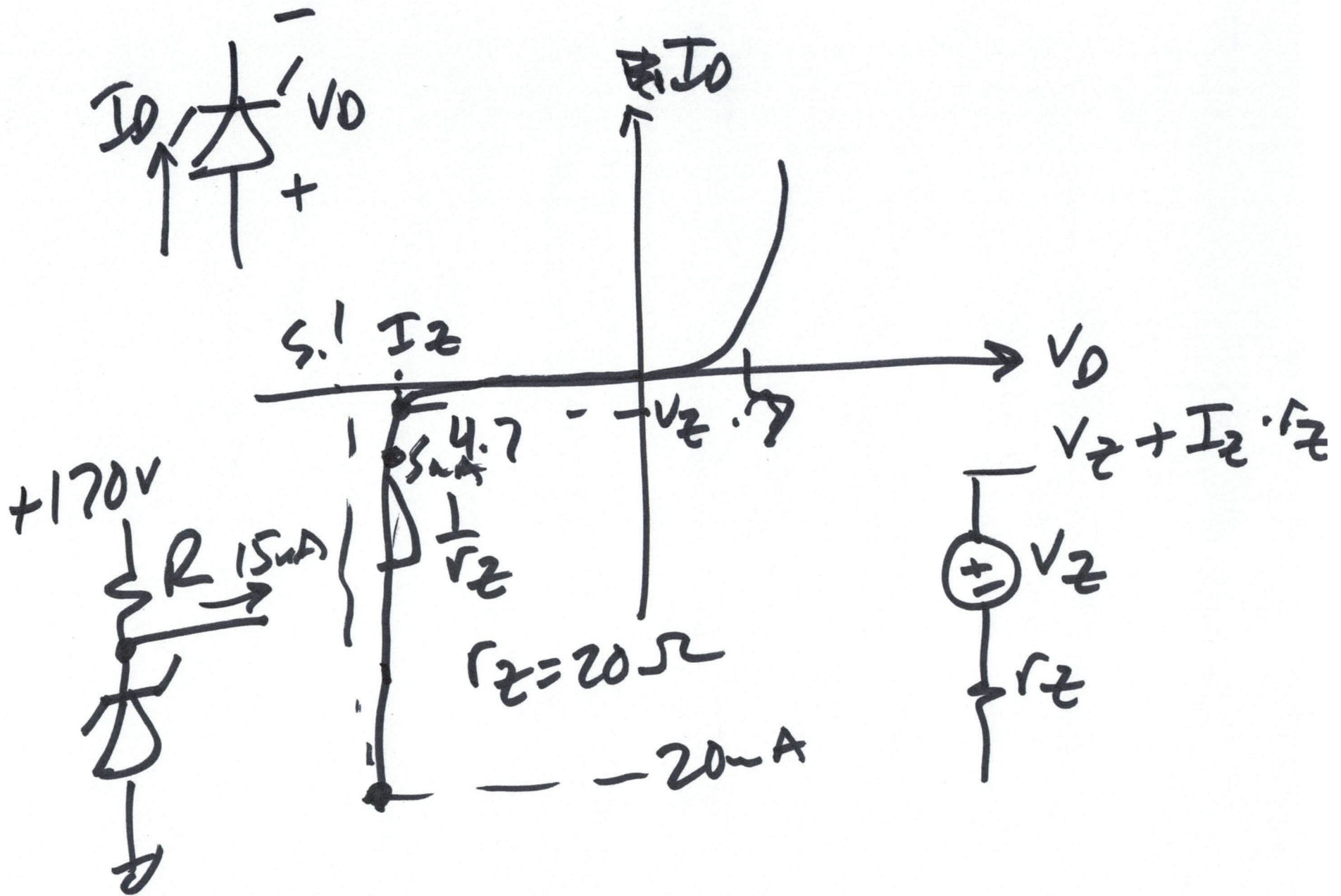












+130V 150V

$$R = \frac{150 - 5}{25 \mu\text{A}} = 5.8 \text{K}$$

